



INSTRUCTION MANUAL  
MANUAL DE INSTRUCCIONES  
NÁVOD NA POUŽITÍ  
BEDIENUNGSANLEITUNG  
MODE D'EMPLOI

**CZ SHADOW**

**Before handling the firearm read this manual carefully and observe the following safety instructions.**

Improper and careless handling of the firearm could result in accidental discharge and cause injury, death or damage to property. The same repercussions can be caused by unauthorized modifications or adjustments, corrosion, or use of non-standard or damaged ammunition. In these cases the manufacturer shall not be responsible in any manner whatsoever for the resulting consequences. Before leaving the factory the firearm was tested, inspected, and packaged in accordance with company policy. Ceska zbrojovka a.s. cannot accept responsibility for product handling whilst in transit after dispatch from the factory. Therefore, examine the firearm carefully upon receipt to ensure that it is unloaded and undamaged.

This instruction manual should always accompany the firearm in the event of loan or further sale.

## CONTENTS

SAFETY INSTRUCTIONS	2
PISTOL DESCRIPTION AND TERMINOLOGY	5
OPERATING INSTRUCTIONS	6
Ammunition	6
Removing the Magazine	7
Loading the Magazine	7
Loading the Pistol	7
Reloading While Shooting	7
Unloading the Pistol	7
Engaging the Safety	8
Sight Adjustment	8
Setting the magazine catch	8
MAINTENANCE INSTRUCTIONS	9
Stripping for Cleaning - Disassembly	9
Firing Pin Disassembly	9
Magazine Disassembly	9
Cleaning the Pistol	10
Cleaning the Barrel and the Chamber	10
Cleaning of Other Parts	10
Preserving the Pistol	11
Waste Management	11
TROUBLESHOOTING, CAUSES AND REMEDIES	12
LIST OF PARTS	12
LIST OF ILLUSTRATIONS	14
ADAPTER FOR CZ KADET IN CALIBRE .22 LR	14

**SAFETY INSTRUCTIONS**

Always follow the safety instructions for your safety and the safety of others.

1. Always handle your firearm as if it were loaded.
2. Never point your firearm at anything you do not intend to shoot at. Also never point a firearm at anybody even in fun.
3. Never take anyone's word that the firearm is unloaded.
4. Always make sure that the firearm is not loaded before laying it down or handing it over to another person.
5. Always store or carry your firearm empty, with the striking mechanism forward except when you intend to shoot.
6. Never abuse the firearm by using it for any purposes other than shooting.
7. Never leave a firearm unattended.
8. Prior to loading the firearm ensure the barrel, chamber, and action are clean and clear of obstructions. If the firearm becomes excessively dirty during firing clean it immediately. Always clean the firearm after use.
9. Do not shoot the pistol, unless you are certain about the ammunition you are using. Do not use unmarked or hand-loaded ammunition from an unknown source, ammunition with a cracked, deformed or dented case or with a damaged bullet. Reloading is an expert activity and incorrectly reloaded ammunition may be extremely dangerous. It may result in heavy damage or destruction of the pistol and serious injury or death of the shooter or other persons. Always use clean and dry original high quality commercially manufactured ammunition, which corresponds to the caliber of the firearm.
10. Never drink alcohol or take drugs before and during shooting.
11. Whenever practical always wear safety glasses and ear protection while shooting.
12. Always keep the safety applied when the pistol is loaded with a cartridge in the chamber, until you are ready to fire. Keep the firearm pointed in a safe direction when disengaging the safety.
13. Always keep the ejection port clear of obstructions and people.
14. Never pull the trigger or put your finger within the trigger guard unless you are aiming at a target and ready to fire.
15. Always make absolutely sure of your target and the area behind it before pulling the trigger. The bullet can pass through or past the target up to several hundred meters.
16. Never shoot at a hard surface such as rock, or a liquid surface such as water.
17. Never fire near an animal unless it is trained to withstand the noise.
18. Never indulge in "horseplay" while holding the firearm.
19. Failure to fire: In case it fails to fire, hold the firearm keeping it pointed in a safe direction and wait 30 seconds. If a hangfire (slow ignition) has occurred, the cartridge will fire within 30 seconds. If the cartridge does not fire, eject the cartridge and examine it. If the firing pin indent on the cartridge is light, or non-existent, have the firearm examined by a competent gunsmith.
20. Always make sure the firearm is not loaded before cleaning, storing or travelling. Remove any unused ammunition from the pistol and store it in compliance with the law.

21. Always keep and store your firearm and ammunition in separate secure locations out of reach and sight of children and unauthorized people. Always protect the ammunition from sources of heat and open fire.
22. Never alter any parts of your firearm; the safety and proper function of your firearm could be seriously affected.
23. Always be aware that corrosion, use of damaged ammunition, dropping the firearm on hard surfaces or other "rough treatment" can cause damage that is not necessarily obvious at first sight. If something like this happens, have the firearm examined and tested by a competent gunsmith.

## RULES OF THE SAFE HANDLING TRITIUM SIGHTS



Tritium sights for CZ pistols involve a luminous front sight (tritium radiator of 0,55 GBq activity) and a luminous rear sight (2 tritium radiators of 0,55444 GBq activity) that is installed at the pistol by means of precision dovetails. Tritium in the gaseous state (99% HT and 1% HTO) is enclosed in plastic ampoules with a luminescent element and these ampoules are fixed by glue into the metallic cap of the sight so that the manipulation and storage of the sights is not exposed to any risks. The sights are marked as H3 (radioactive tritium).

The third generation of the sights retains all the advantageous features of the preceding generation of sights and several improvements are added:

- built-in shock absorber
- solid protective bushing providing less sensitivity against rough manipulation
- immovable window for a better light output with additional protection against a damage
- tolerance against longer immersion in currently used solvents and cleaning agents
- guaranteed continuous available light intensity for the period of 12 years
- sealing design protects the sights against an accidental damage, avoids the unwanted manipulation with the light source, inhibits to penetrate the dirt into the visual system and to hide the light
- provided a finer transition between the aiming during the day and the night
- simple installation (no modification of the arm is necessary)
- no added weight nor size
- no maintenance
- no battery needed (no losses of the energy at the cold weather)

**Safety instructions in case of the sights damage**

In regular conditions of the storage, use and maintenance there is no risk to the user caused by emitted ionizing radiation, because it doesn't penetrate metallic caps, in which the ampoules with radiators are fixed. In case of a nearly unreal incidental damage of all ampoules in one set at the moment, when the arm is in shooting position (position of the sights closer to the shooter), the single effective radiation dose wouldn't exceed the value of 0,26 mSv. What does this value present? It is for example:

- 1/12 of the dose which is received by an ordinary inhabitant in course of a year due to the natural radioactive background (3,5 mSv / year)
- less than 1/4 of the general effective dose limit to an ordinary inhabitant

**Recommended first aid at the inspiration of the gaseous tritium**

The gaseous tritium state is practically inactive and causes a slight internal contamination. In case of its inspiration it is recommended to increase the intake of liquids and eventually to take some diuretic (beer with low content of alcohol) for acceleration of the body water exchange.

**DUTIES OF THE TRITIUM SIGHTS OWNER**

1. The sights are a radioactive radiator in the period of 6,5 years since their purchase according to the Czech Republic legislation.
2. At the purchase the owner obtains a guide with rules of the safe handling and a document on the impermeability of the radionuclidic radiators in the set (certificate of the encased radionuclidic radiator), which must be preserved and presented on request of the competent authority.
3. When handling a type approved product, which is the source of the ionizing radiation, it is necessary to respect national regulations for protection against the ionizing radiation (the appropriate national legislation).
4. In case of the ownership of more than 9 sets of sights (the total activity exceeding 10 GBq) the owner is obliged to consult the duties resulting from the appropriate national legislation at the competent authority.
5. To avoid such manipulation, when a rough mechanical damage of the sights may happen.
6. It is not allowed to carry out any changes, relating to the properties of the protection against the radiation.
7. In case of the destruction or the damage, the sights mustn't be further used. The owner is obliged to secure safely the device changed in such a way and to pass it to the distributor or the manufacturer for the safe liquidation. The same procedure to be applied for liquidation of no more used sights.
8. The manipulation with sights is governed by general principles of the protection against the ionizing radiation. At the current use there are no requested tests of impermeability during the service life of the sights.

The sights were type approved by the decision of the competent authority Ref. No. SÚJB/RCAB/9960/2014.

20.4.2014  
Státní úřad pro jadernou bezpečnost  
Regionální centrum Praha  
Bartošková 28  
140 00 Praha 4

## PISTOL DESCRIPTION AND TERMINOLOGY

The names of basic pistol parts used in this Instruction Manual are presented in Fig. 1 on the inner side of the left-hand cover. Nomenclature of all pistol parts are presented in the section *List of Parts*.

Designed particularly for sports shooting up to 50 metres, the CZ Shadow 2 pistol is a semi automatic handgun equipped with locked breech system. It is provided with double action trigger mechanism (SA/DA), hammer safety notch and an ambidextrous manual safety. The characteristic features of all versions include:

- Selective SA/DA firing mechanism operation
- Large capacity double-column magazine
- Comfortable grip and balance in either hand
- Good results at instinctive shooting (without aiming)
- Low trigger pull weight
- The trigger overtravel is defined by means of a distance screw (it is pre-set by the manufacturer)
- High accuracy of fire
- Long service life
- High reliability, even with various types of cartridges
- The slide stays open after the last cartridge has been fired
- Suitable for Combat shooting
- The sights comprise of a fiber optic front sight and height-adjustable rear sight, on special request micrometrical sights can be installed
- The front part of the frame is equipped with mounting rails (MIL-STD-1913) which serve for the purpose of the attachment of special accessories

The SHADOW Optics Ready pistols are factory modified for easy and very stable installation of modern compact collimator sights from a broad range of proven manufacturers (e.g. Trijicon, Vortex, Meopta, Leupold). The main advantages of the CZ Optics Ready pistols include:

- exceptional robustness, strength and durability of the mount
- low mount height
- easy sighting of the collimator sight even at longer distances

- compatibility with many popular collimator sights (the sight is not included in the package)
- the design corresponds to the shape of standard CZ pistols

Versions	Operation	Manual Safety	Safety Stop on Hammer
CZ Shadow 2	SA/DA	yes	yes
CZ Shadow 2 Orange	SA/DA	yes	yes
CZ Shadow 2 OR	SA/DA	yes	yes
CZ Shadow 2 SA	SA	yes	yes
CZ 75 SP-01 Shadow	SA/DA	yes	yes

Comments:

*SA (Single Action)*

The trigger mechanism operates in a single action mode of fire. The hammer is cocked manually and then after pressing the trigger the pistol is fired. The trigger travel is short, and pull weight is low. After each discharge the hammer remains cocked.

*DA (Double Action)*

The trigger mechanism operates in a double action mode of fire. The hammer is cocked, released and the pistol fired by one pull of the trigger. The trigger travel is longer, and trigger pull weight is higher than at SA mode of fire.

*Safety Stop on the Hammer*

A half-cock safety notch is on the hammer so as to prevent it from striking the firing pin when the hammer is manually cocked, and a thumb possibly slips. When the hammer hits the safety stop, it is not touching the firing pin stop, but its position is set back.

**OPERATING INSTRUCTIONS**

**Ammunition**

Always use ammunition in an allowable production design which is in compliance with standards applicable for ammunition manufacturers and is approved by the CIP (Permanent International Commission for Firearms Testing) or SAAMI (Sporting Arms and Ammunition Manufacturers' Institute Inc. of the United States). The use of other cartridges could damage the handgun or cause injury to the shooter. When using factory-made ammunition with standard speed, the use of firearms produced by Česká zbrojovka a.s. is safe. Check the ammunition you are going to use to make sure that it corresponds to the caliber of your firearm. Commercially produced ammunition is clearly marked with the caliber on the bottom or around the bottom of each cartridge case.

## Removing the Magazine

Grip the pistol in your right or left hand and depress the magazine catch located by the thumb or middle finger (Fig. 2). The magazine disengages and falls out of the frame. This pistol model is equipped with the user type magazine catch which can be reversed by gunsmith for the right or left hand operation.

## Loading the Magazine

With the open end uppermost, grasp the magazine in one hand. Place a cartridge on the magazine follower. Press the cartridge down and back until it touches the rear edge of the magazine. Place the next cartridge on top of the previous cartridge and press down and back as previously described. We recommend that when some cartridges are loaded in the magazine, depress them slightly with the thumb of the hand which holds the magazine.

The number of cartridges can be checked through the inspection holes in the sides of the magazine. Do not try to exceed the magazine capacity - doing so can cause a feeding failure.

## Loading the Pistol

**ALWAYS MAKE SURE THE PISTOL IS POINTED IN A SAFE DIRECTION WHEN LOADING!**

Insert a loaded magazine and ensure that it has engaged the magazine catch properly.

Hold the pistol by the grip with one hand, and with the thumb and index finger grasp the serrated finger grips on both sides of the slide. Retract the slide to the stop and allow it to snap forward (Fig. 3). This procedure cocks the hammer and inserts a cartridge into the chamber. The pistol is now ready to fire. If you do not intend to fire immediately ensure the pistol safety by one of the methods mentioned in the section: *Engaging the Safety Mode*.

## Reloading While Shooting

When the last cartridge has been fired the slide will stay to the rear. Remove the empty magazine and replace it with a loaded one. Depress with the thumb the slide stop with the shooting hand (Fig. 4), or retract the slide with the other hand and allow it to snap forward (Fig. 3). The pistol is again loaded and ready to fire.

## Unloading the Pistol

**ALWAYS MAKE SURE THE PISTOL IS POINTED IN A SAFE DIRECTION!**

- Remove the magazine
- Retract the slide and verify the last cartridge has been extracted from the chamber and ejected
- Let the slide snap fully forward
- Depress the trigger (dry fire)



## Engaging the Safety

Push the safety up to the Safety-On position (Fig. 5) until the red warning dot is covered. The safety in this position blocks the trigger mechanism and slide, thus preventing the pulling of the trigger and operating the slide.

Since the trigger mechanism has been specifically adjusted, it is possible to move the safety onto the "SAFE" position even if the hammer is placed on the safety notch. In this case, however, it is strongly not recommended to engage the safety because the trigger mechanism might be damaged when cocking the hammer by force or pulling the trigger. If damage to the trigger mechanism occurs, let it be repaired by a certified gunsmith.

Besides the method previously described it is possible to put the pistol into a safety mode and still be ready to fire immediately:

Load the pistol. Grasp the grip, POINT IN A SAFE DIRECTION. With a thumb press on the grooved area (thumb piece) of the hammer, pull the trigger and release the hammer slowly forward (Fig. 6) until it rests on the action or safety notch of the hammer. Release the trigger. Practise this operation very carefully to avoid an accidental discharge! We strongly recommend to practise this operation beforehand with the pistol unloaded!

In this state the pistol is safe for all normal handling and at the same time ready for immediate use.

Please remember that the safest way to secure a pistol is to unload it and store it in a safe place!

## Sight Adjustment

The pistol sights were zeroed in at the factory at a distance of 25 m so that the mean point of impact approximately conforms to the point of aim.

The windage can be corrected by shifting the rear sight within the dovetail. Prior to the adjustment it is necessary to loosen the screw securing the rear sight against falling out. Once the rear sight has been adjusted it is necessary to tighten the screw again and secure it with the application of the Loctite 243. Elevation can be corrected by turning the screw.

In case of a requirement, there is an option to exchange the usual rear sights for another sight of a suitable type, or as the case may be to also exchange the front sight, which is secured by a roll pin. These adjustments should be entrusted to a competent gunsmith.

## Setting the magazine catch

The finger piece of the magazine catch can be set in three positions. When you choose the desired position, secure the screw in the thread using medium strength Loctite 243 threadlocker.

## MAINTENANCE INSTRUCTIONS

### Stripping for Cleaning - Disassembly

POINT YOUR PISTOL IN A SAFE DIRECTION!

1. Remove the magazine. The pistol must not be disassembled with the magazine inserted!
2. Put the safety to the "OFF" position, in order to release the movement of the slide.
3. MAKE SURE THAT THERE IS NO CARTRIDGE IN THE CHAMBER!
4. Retract the hammer slightly back and then release it, until it stops on the half-cock (safety) notch position. In this state the handling which follows will be easier.
5. Put your left thumb through the trigger guard and with the other hand grasp the forward part of the slide firmly (Fig. 7). Push the slide slightly back until the two vertical lines on the rear part of the frame and slide are in line with each other.
6. KEEPING THE LINES ALIGNED push (tap) the slide stop from the right hand side of the weapon, e.g. using the magazine base (Fig. 8). Remove the slide stop from the left.
7. Pull the slide and the barrel forward off the frame.
8. Remove the recoil spring and guide and finally the barrel.

For CZ Shadow 2 Orange with removable bushing, remove the recoil spring plug and rotate the bushing clockwise by 40° and slide it out of the slide (use the disassembly tool provided with the firearm to turn the bushing). Remove the recoil spring plug.

9. Remove the barrel from the slide.

No further disassembly is needed for routine maintenance. When a great number of cartridges has been fired, it is advisable to also disassemble the firing pin and magazine.

### Firing Pin Disassembly

Push in the rear end of firing pin using a suitable tool, below the level of the firing pin stop, and press the firing pin stop approximately 2 mm down. Then cover the firing pin stop with your thumb in order not to lose the spring-loaded firing pin, and with the other hand pull the firing pin stop completely out of the slide. Be very careful at this stage of the disassembly procedure, as the firing pin is spring-loaded and could fly out, getting lost, or even causing injury.

### Magazine Disassembly

Move the magazine base lock to the disassembly position (Fig. 9) or, in case of a different design, push on the magazine base lock through a hole in the base. Move the magazine base approx. 5 mm forward. Cover the base with your thumb to prevent losing the magazine spring and with the other hand take off the base from its guiding rails. Be careful during the disassembly as the spring could fly out, or even cause an injury.

**CAUTION:**

No further disassembly of your pistol is recommended. Should your pistol require adjustment or repair be sure the task is entrusted to a competent gunsmith!

**Cleaning the Pistol**

Clean the pistol

- Each time you use it
- If you get your pistol wet
- As soon as possible after shooting
- At least once a year in a temperate climate
- At least once a month in a tropical climate, or other demanding environments

**Cleaning the Barrel and the Chamber**

If the pistol has not been fired or if only a few cartridges have been fired, clean the barrel and chamber with a clean patch attached to the cleaning rod. Repeat the cleaning, changing patches, until the last patch comes out clean.

When the barrel is very dirty, apply a gun cleaning solution using a cleaning brush. Let the solvent act for about 10 minutes (this time may vary depending on the solvent agent being used). Then thoroughly scrub out the barrel. Subsequently, dry the barrel and chamber with a clean patch and check that all powder residues or fouling have been removed. If necessary repeat this procedure.

The cleaning rod and the brush must be inserted into the barrel from the chamber, to prevent wear or damage to the muzzle. Pass the brush all the way through the barrel before reversing the movement. If you try to change directions with the brush in the barrel, the brush could stick.

**Cleaning of Other Parts**

Other parts of the pistol (including the external surfaces of the barrel) can be cleaned with a dry cloth, old toothbrush, brass bristle brush or a wooden scraper. Preserving oil or paraffin oil can be used for proper cleaning. Never use an agent designed for barrel cleaning. These solutions could remain in the joints, and after some time could cause corrosion.

Check that cloth particles or brush bristles have not become lodged in any part of the pistol.

**Preserving the Pistol**

When the barrel, chamber, and all accessible parts are clean and dry, wipe these parts with a cloth soaked in gun oil or apply the oil in spray form. Remove all excess oil.

For CZ Shadow 2 Orange also preserve the front part of the barrel and the inner diameter of the bushing.

Before shooting always pull through the barrel with a dry patch. At very low temperatures remove the oil from all accessible parts or apply a lubricant especially for these conditions.

Use thick preserving agents such as preserving grease only for long-term storage in severe climatic environments, and remove it thoroughly before use from all parts of the firearm.

**Waste Management**

When used properly, the materials used in the product and its packaging have no adverse effects on human health or the environment. When disposing of the product or its packaging, metal parts (steel and non-ferrous metals), plastics, wood, paper and cardboard should be stored separately in collecting containers intended specifically for such a purpose.

## LIST OF PARTS

1 Frame *	32 Magazine Catch
2 Slide Stop *	33 Magazine Catch Spring
3 Slide Stop Spring	34 Trigger Bar Spring
4 Slide Stop Spring Pin	35 Magazine Catch Spring Screw
5 Trigger *	36 Magazine *
6 Trigger Pin	37 Firing Pin *
7 Trigger Bar	38 Firing Pin Spring
8 Trigger Spring	39 Firing Pin Stop *
9 Pin (3x)	40 Buffer *
10 Ejector	41 Recoil Spring *
11 Sear	42 Recoil Spring Guide *
12 Sear Spring	43 Barrel *
13 Sear Pin	44 Slide *
14 Safety - Right *	45 Front Sight
15 Safety Detent Plunger - Right *	46 Front Sight Pin
16 Hammer *	47 -
17 Disconnecter *	48 -
18 Hammer Pin	49 -
19 Hammer Pin Retaining Peg	50 Extractor *
20 Main Spring Strut *	51 Extractor Pin
21 Main Spring	52 Extractor Spring
22 Main Spring Plug *	53 Rear Sight *
23 Main Spring Plug Pin	54 Securing Screw (2x) *
24 Magazine Guide *	55 Trigger Screw *
25 Magazine Guide Pin	56 Shaped Washer (2x) *
26 Grip Panel - Left *	57 Cover *
27 Grip Panel - Right *	58 Cover screw (2x) *
28 Grip Panel Screw (2x) *	59 Collimator sight plate *
29 Safety - Left *	60 Collimator sight plate screw (2x) *
30 Safety Detent Plunger - Left	61 Bushing *
31 Safety Detent Plunger Spring *	62 Recoil Spring Plug *

Comments:

The parts marked \* differ according to versions, or as case may be in some versions are entirely missing.

## TROUBLESHOOTING, CAUSES AND REMEDIES

If your pistol is properly used and maintained, malfunctions will rarely occur. However, if such a situation does occur, please observe the following instructions.

**CAUTION** - If a malfunction occurs, the possibility of an accidental discharge is substantially higher. For this reason, when clearing malfunctions, follow the above mentioned *Safety Instructions*. Keep the pistol pointed in a safe direction, do not turn the pistol against your body or anyone else's! Do not place your hands in front of the barrel!

Malfunction	Possible Cause	Remedy
A cartridge has not been fed into the chamber or the slide has not fully locked with the barrel	Magazine is not fully inserted or is damaged. The pistol or cartridges are fouled (dirty) or too heavily greased.	Insert magazine properly or change magazine. Clean the pistol and cartridges and wipe them dry or as the situation dictates, slightly lubricate.
Misfire	Defective cartridge.  Firing pin hole is fouled (dirty) or improper lubricant was used in low temperature conditions.	Pull the trigger again. If a discharge is not initiated, follow the Safety Instructions according to point 19.  Disassemble and clean the firing pin or use a low temperature lubricant.
A shot sounds "weak" combined with failure to eject the cartridge case	The cartridge has been activated but no powder load was inside the cartridge case.	Unload the pistol and check that the bullet has not obstructed the barrel. Any subsequent shot could cause damage to the barrel.
The spent case has not been ejected	Chamber, extractor or ammunition are dirty, or unsuitable lubricant was used in low temperatures.	Clean and wipe the pistol dry or eventually lubricate lightly with a suitable agent. Use new and clean ammunition.

If you are not able to clear the malfunction in the manner described above, entrust the pistol to a competent gunsmith for inspection and repair.

The Company reserves the right to make any changes it deems necessary to improve its models or to meet any requirements of manufacturing or commercial nature.

**LIST OF ILLUSTRATIONS**

1. The names of basic parts
2. Magazine removal
3. Pistol loading
4. Slide release from its "rear lock-up" position by depressing slide stop
5. Shifting the safety to the "SAFETY-ON" position
6. Release of the hammer to its forward position
7. Positioning of the slide during disassembly
8. Slide stop removal using the magazine base to facilitate this operation
9. Magazine disassembly

**ADAPTER FOR CZ KADET IN CALIBRE .22 LR**

Adapter for the CZ Shadow 2 and CZ 75 SP-01 Shadow pistol in calibre .22 LR can be supplied in the following two versions:

1. The adapter itself, which can be mounted on the frame of any CZ Shadow 2 or CZ 75 SP-01 Shadow pistol
2. Complete CZ Shadow 2 or CZ 75 SP-01 Shadow pistol in calibre .22 LR

The main benefits of the adapter include:

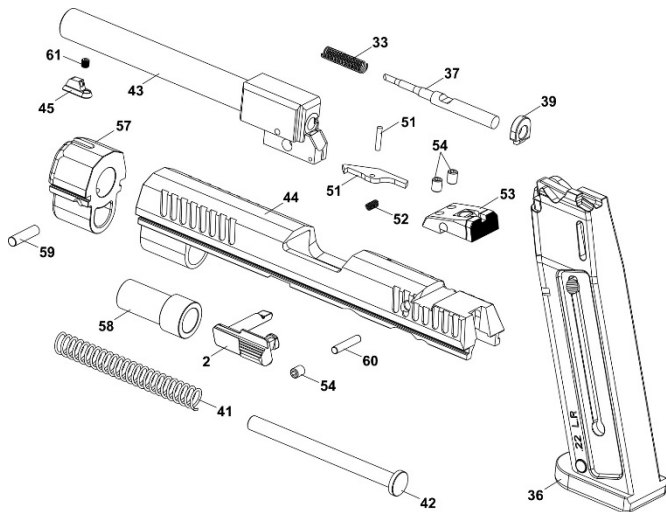
- retaining the typical characteristics of the CZ Shadow pistols
- economy of firing - advantageous especially for training
- easy installation of the adapter on the frame without the necessity of additional alignment

**Installation of the adapter**

No modifications or additional alignment are necessary for the use of the .22 LR adapter on an existing pistol. Follow the instructions in *Stripping for Cleaning - Disassembly* and remove the existing slide assembly and mount the .22 LR adapter on the pistol frame. The supplied slide stop marked as "22 LR" and a magazine in calibre .22 LR must be used with the adapter.

Two colour-coded recoil springs are supplied with the firearm. The one with blue marking is suitable for weaker versions of .22LR ammunition (e.g. subsonic). The one with red marking is suitable for more powerful ammunition (e.g. high velocity).

## Illustration and list of parts for the adapter



- |    |                     |    |                     |
|----|---------------------|----|---------------------|
| 2  | Slide Stop          | 50 | Extractor           |
| 36 | Magazine            | 51 | Extractor Pin       |
| 37 | Firing Pin          | 52 | Extractor Spring    |
| 38 | Firing Pin Spring   | 53 | Rear Sight          |
| 39 | Firing Pin Plate    | 54 | Securing Screw (3x) |
| 41 | Recoil Spring       | 57 | Adapter             |
| 42 | Recoil Spring Guide | 58 | Bushing             |
| 43 | Barrel              | 59 | Adapter Pin         |
| 44 | Slide               | 60 | Firing Pin Plug     |
| 45 | Front Sight         | 61 | Front Sight Screw   |



**Antes de manipular con la pistola, lea cuidadosamente este manual y observe especialmente las siguientes instrucciones de seguridad.**

Un manejo incorrecto y descuidado de la pistola podría producir un disparo no intencionado causando lesiones corporales, muerte o daños a la propiedad. Las mismas consecuencias pueden tener modificaciones no autorizadas, corrosión o uso de una munición no prescrita o averiada. El fabricante no se hará responsable por las consecuencias originadas en estos casos. Antes de abandonar la fábrica, la pistola fue probada, revisada cuidadosamente y empaquetada. CZ no puede controlar la manipulación del producto una vez que el mismo abandone la fábrica. Por esta razón, al comprar esta pistola verifique que la misma esté descargada y sin averías.

Este Manual de Instrucciones deberá siempre acompañar la pistola, incluso cuando el arma fuese prestada o vendida.

## **CONTENIDO**

INSTRUCCIONES DE SEGURIDAD	17
TERMINOLOGÍA Y DESCRIPCIÓN DE LA PISTOLA	21
INSTRUCCIONES DE USO	23
Munición	23
Retiro del cargador	23
Cargar el cargador	23
Cargar la pistola	23
Recarga durante el tiro	24
Descargar la pistola	24
Seguro de la pistola	24
Ajuste de miras	25
Ajuste del retén del cargador	25
INSTRUCCIONES DE MANTENIMIENTO	26
Desmontaje del arma para la limpieza	26
Desmontaje del percutor	27
Desmontaje del cargador	27
Limpieza de la pistola	27
Limpieza del ánima y la recámara	27
Limpieza de otras partes de la pistola	28
Conservación	28
Tratamiento de los residuos	28
ELIMINACIÓN DE FALLAS FUNCIONALES	29
LISTA DE COMPONENTES	30
LISTA DE GRÁFICOS	31
ADAPTADOR CZ KADET EN EL CAL. .22 LR	31

## INSTRUCCIONES DE SEGURIDAD

Mantenga siempre las instrucciones de seguridad para su seguridad personal y la de los demás.

1. Manipule siempre con su pistola como si fuese cargada.
2. No apunte nunca a ningún objeto, si no tenga la intención de disparar.
3. No confíe a nadie que la pistola esté descargada.
4. Antes de dejar de utilizar la pistola o entregarla a otra persona, verifique siempre que esté descargada.
5. Almacene la pistola descargada y con el martillo en la posición delantera.
6. No utilice nunca la pistola con otros fines que para disparar.
7. Nunca deje sin vigilancia una pistola cargada.
8. Antes de cargar el arma, asegúrese que el ánima del cañón, la recámara y la corredera estén limpios y sin obstrucciones. Limpie la pistola después del disparo tan pronto sea posible.
9. No dispare del arma sin conocer la munición que está usando. No utilice una munición sin marcación, recargada manualmente; una munición con casquillo rajado, deformado o abollado, o una bala con signos de avería. La recarga es una actividad especializada y una munición recargada de forma incorrecta (con fallas) puede ser extremadamente peligrosa, con el eventual daño/destrucción grave del arma y lesiones de gravedad o la muerte del tirador y otras personas. Utilice siempre una munición limpia, seca y de fabricación original, de alta calidad y en un buen estado, correspondiente al calibre de su pistola.
10. Nunca tome bebidas alcohólicas o utilice estupefacientes antes o durante el disparo.
11. Utilice protectores de oídos y gafas de tiro protectoras durante el tiro.
12. Si la pistola está cargada y con el martillo montado, mantenga el seguro en la posición de seguridad hasta el momento de estar preparado para el disparo. Al quitar el seguro apunte en un espacio seguro.
13. Mantenga libre la ventanilla de expulsión e impida que alguien se coloque en la dirección de la cartuchera expulsada.
14. No presionar el disparador y no introducir los dedos en el guardamonte del disparador, a no ser, que esté apuntando al blanco y preparado para disparar.
15. Antes de presionar el disparador, vuelva a controlar su objetivo y el espacio posterior del mismo. La bala puede atravesar el objetivo o desviarse fuera del mismo y pasar una distancia de varios cientos de metros.
16. Nunca dispare a una superficie dura, como una piedra, o la del agua por ejemplo.
17. No dispare nunca cerca de un animal que no esté entrenado para este tipo de ruido.

18. Al manipular con la pistola, evite todo tipo de "bromas".
19. Fallo del disparo: en caso de no efectuarse el disparo, mantenga la pistola apuntando en la dirección hacia el objetivo o hacia un espacio seguro y espere treinta segundos. En caso de producirse una ignición atrasada, el cartucho sale disparado en treinta segundos. Si no se produzca el disparo, retire el cargador, saque el cartucho del cañón y revise el fulminante. Si la huella del percutor en el fulminante es débil, fuera del centro o falta, antes de efectuar un nuevo disparo, deje revisar la pistola por un armero calificado.
20. Asegúrese siempre que la pistola no este cargada cuando vaya a limpiarla, almacenarla o transportarla. La munición no disparada retire del arma y guarde con seguridad en conformidad con los reglamentos legislativos.
21. Guarde siempre la munición y la pistola en depósitos seguros y bajo llave, fuera del alcance y la vista de los niños o gente no autorizada. Proteja la munición siempre del contacto con fuentes de calor y el fuego abierto.
22. Nunca altere ninguna parte de la pistola, podría comprometer de una manera grave el correcto funcionamiento de la pistola o su seguridad.
23. Tenga en cuenta que la corrosión, el uso de munición dañada, el roce del arma con superficies duras u otros rudos movimientos podrían causar daños a la pistola, que no necesariamente se puedan percibir a simple vista. Si algo como esto ocurriera, entregue el arma a un especialista para ser examinada y probada.

## REGLAMENTOS DE SEGURIDAD PARA EL USO DE MIRAS DE TRITIUM



Las miras de tritium para pistolas CZ forman un juego con un guión luminoso (emisor de tritium de una actividad de 0,565 GBq) y miras luminosas posteriores - el alza (2 emisores de tritium de una actividad de 0,55444 GBq), que se ensambla en el arma utilizando colas de milano precisas. El tritium en su forma gaseosa (99% HT y 1% HTO) se encuentra cerrado en ampollas de plástico con luminófor, las mismas que se fijan con un pegante en la funda de metal de las miras de tal manera, que el uso y el almacenamiento de las miras no representen ningunos riesgos. Las miras están marcadas con la marca H3 (tritium radioactivo).

En la tercera generación de miras se mantienen todos los elementos ventajosos de la generación de miras anterior y se añaden algunas mejoras:

- Amortiguador de golpes incorporado
- Manguito de protección sólido que asegura una menor sensibilidad de las miras en caso de una manipulación tosca
- Ventanilla fija para una mejor salida de luz y mejor protección contra daños

- Resistencia a la sumersión prolongada en disolventes y medios de limpieza de uso corriente
- Luminosidad garantizada utilizable e ininterrumpida durante el tiempo de 12 años
- Molde de empaque protege las miras contra averías accidentales, impide la manipulación inadecuada con la fuente de luz, impide la penetración de suciedad al sistema visual y el encubrimiento de la luz
- Asegura un paso más suave entre el apuntamiento durante el día y en la noche
- Un montaje sencillo (no requiere de ningunas modificaciones en el arma)
- No aumenta el peso ni el volumen
- Sin mantenimiento
- No necesita batería (no hay pérdidas de energía durante el clima frío)

### **Instrucciones de seguridad en caso de un daño de las miras**

Bajo condiciones regulares de almacenamiento, uso y mantenimiento de las miras la radiación ionizante emitida no representa ningún riesgo para el usuario, ya que no se filtra a través de las fundas de metal en las cuales se encuentran fijadas las ampollas con los emisores. En caso de producirse un daño casual casi irreal de todas las ampollas en un juego de miras en el momento, cuando el arma se encuentre en la posición de disparo (la posición, cuando las miras se encuentran más cerca del tirador), la dosis única efectiva no sobrepasaría el valor de 0,26 mSv. Que representa este valor? Por ejemplo, es igual a:

- 1/12 de la dosis que un habitante corriente obtiene durante el año del fondo de radiación natural (3,5 mSv / año)
- es menos que 1/4 del límite general de la dosis efectiva para un habitante corriente

### **Primeros auxilios recomendados en caso de una inhalación del tritium en forma gaseosa**

La forma gaseosa del tritium es practicamente inerte y causa una moderada contaminación interior. En caso de una inhalación se recomienda aumentar la cantidad de líquidos y también, eventualmente administrar diuréticos (cerveza con bajo contenido de alcohol) para acelerar la vuelta del agua en el cuerpo.

### **OBLIGACIONES DEL PROPIETARIO DE MIRAS DE TRITIUM**

1. De acuerdo a la legislación de la República Checa las miras son un emisor radioactivo durante el plazo de 6,5 años desde su adquisición.
2. Al adquirir las miras el propietario del equipo obtendrá un manual con instrucciones de uso seguro y un certificado sobre la hermeticidad de los emisores de radionúclido en el juego (el certificado del emisor de radionúclido cerrado), que debe guardar y presentarlo a las autoridades competentes en caso de ser requerido.

3. Durante la manipulación con el producto de tipo autorizado que es una fuente de radiación ionizante hay que respetar los reglamentos nacionales sobre la protección de la radiación ionizante (la legislación nacional correspondiente).
4. En caso de ser propietario de más de 9 juegos de miras (una actividad total que sobrepasa los 10 GBq), el propietario está obligado a pedir a las autoridades competentes la información sobre las obligaciones resultantes de la legislación nacional correspondiente.
5. Evitar tal manipulación que podría causar un grave daño mecánico de las miras.
6. No está permitido realizar tales modificaciones en las miras que podrían alterar propiedades importantes para la protección contra la radiación.
7. La miras no deben seguir utilizándose al ser destruidas o dañadas. El propietario debe recoger con seguridad los equipos así alterados y entregarlos al distribuidor o productor para su liquidación segura. El mismo procedimiento es válido en caso de la liquidación de miras que ya no se utilizan.
8. Para la manipulación con las miras valen las reglas generales de protección contra la radiación ionizante. Durante un uso corriente durante la vida útil de las miras no se requieren pruebas de hermeticidad.

El tipo de miras fue aprobado en la República Checa mediante la decisión de la autoridad competente bajo el no. SÚBJ/RCAB/9960/2014.

20.4. 2014  
Státní úřad pro jadernou bezpečnost  
Regionální centrum Praha  
Bartošková 28  
140 00 Praha 4

## TERMINOLOGÍA Y DESCRIPCIÓN DE LA PISTOLA

La denominación de las partes principales de la pistola utilizada en este Manual está indicada en el gráfico No. 1 en la parte interior de la tapa del libro. La denominación de todos los componentes de la pistola está indicada en el capítulo *Lista de componentes*.

Las pistolas de la línea CZ Shadow son armas cortas de fuego semiautomáticas con el sistema de corredera cerrado, destinadas para el tiro deportivo a una distancia de 50 metros. Están dotadas de un mecanismo de disparo de doble acción (SA/DA), de un tetón de seguridad en el martillo y un seguro manual ambidiestro. Entre las características de todas las pistolas destacan:

- mecanismo de disparo de doble función SA/DA
- proveedor de cartuchos de alta capacidad de dos filas
- buen agarre en ambas manos
- buenos resultados durante el tiro instintivo (sin apuntar)
- baja resistencia del disparador
- la acribadura del disparador es ajustada mediante un tornillo de ajuste (ajustado por el fabricante)
- alta precisión del tiro
- larga vida útil
- alta confiabilidad también utilizando varios tipos de balas
- después de disparar el último cartucho la cerradura queda abierta
- conveniente para el tiro Combat
- la pistola está provista de una mira con fibra óptica y de un alza regulable en altura; según el requerimiento especial es posible montar miras micrométricas
- la parte delantera del armazón viene acompañada de ranuras (MIL-STD-1913) de montaje que sirven para montar accesorios especiales

Las pistolas CZ SHADOW Optics Ready están ajustadas en la fábrica para permitir un montaje fácil y altamente estable de modernos visores holográficos compactos de un amplio abanico de marcas probadas (por ejemplo, Trijicon, Vortex, Meopta, Leupold). Las principales ventajas de CZ Optics Ready son las siguientes:

- Extraordinaria robustez, solidez y resistencia de los montajes
- Baja altura de la construcción
- Fácil ajuste del visor aun a mayores distancias
- Compatible con un gran número de visores probados (la óptica no forma parte del embalaje)
- Diseño adaptado al concepto de forma de las pistolas originales CZ

<b>Versión</b>	<b>Función</b>	<b>Seguro</b>	<b>Diente de seguridad</b>
CZ Shadow 2	SA/DA	sí	sí
CZ Shadow 2 Orange	SA/DA	sí	sí
CZ Shadow 2 OR	SA/DA	sí	sí
CZ Shadow 2 SA	SA	sí	sí
CZ 75 SP-01 Shadow	SA/DA	sí	sí

Explicaciones:

*SA (Single Action)*

La función simple del mecanismo de disparo. El martillo se monta manualmente y el disparo se efectúa después de apretar el disparador. El recorrido del disparador es corto, la resistencia es baja. El martillo permanece montado después de cada disparo.

*DA (Double Action)*

Función doble del mecanismo de disparo. Apretando el disparador, el martillo se monta y suelta. El recorrido del disparador es más largo y la resistencia del disparador es más alta que durante SA.

*Diente de seguridad*

El engrane en el martillo que impide un disparo no intencionado en el caso que al montar el martillo manualmente éste se resbale. Cuando se encuentra el martillo en el diente de seguridad, no se apoya en la cerradura, sino que se encuentra inclinado un poco hacia atrás.

## INSTRUCCIONES DE USO

### Munición

Utilice siempre una munición de tipo de fabricación autorizada que cumple las normas establecidas para el productor de munición y es aprobada por la organización CIP (Organización internacional para pruebas de armas de fuego manuales y la munición) o SAAMI (una norma norteamericana para armas y munición). El uso de otro tipo de cartuchos podría causar daños en el arma y heridas al tirador. En caso de usar una munición de fabricación industrial con una velocidad estándar el uso de armas de Česká zbrojovka a.s. es seguro. Compruebe la munición que va a utilizar para tener la seguridad que la misma corresponde al calibre de su arma. La munición de fabricación comercial dispone de una demarcación clara del calibre en el fondo, eventualmente en la proximidad del fondo de casquillo.

### Retiro del cargador

Sujete la pistola con la mano derecha (izquierda), presione con el dedo pulgar (dedo medio) el retén del cargador (dib. 2). El cargador se afloja y sale del marco. La pistola viene provista por un retenedor universal del cargador, el cual puede ser desplazado por un armero con una pequeña vuelta para ser manipulado con la mano derecha o izquierda.

### Cargar el cargador

Sujete el cargador en la mano con la boca hacia arriba. Coloque un cartucho a la parte delantera del aportador y presiónelo hacia abajo y para atrás, hasta que tope el lado posterior del cargador. Coloque el siguiente cartucho sobre el otro e introduzca de la misma manera. En caso, que ya se encuentran varios cartuchos en el cargador, es conveniente presionar un poco con el dedo pulgar la fila de cartuchos.

El número de cartuchos en el cargador puede constatar a través de los agujeros de inspección ubicados a los lados del cargador. No intente a extender la capacidad del cargador - ya que esto podría causar un acceso defectuoso del primer cartucho a la recámara.

### Cargar la pistola

**AL CARGAR LA PISTOLA APUNTE SIEMPRE HACIA UN ESPACIO SEGURO!**

Introduzca el cargador lleno a la pistola y verifique que permanezca retenido por el retén del cargador.

Sujete la pistola con una mano por la empuñadura y con los dedos pulgar e índice de la otra mano agarre la parte ranurada de la cerradura. Hale la corredera en la dirección hacia atrás hasta el tope y suéltela (dib. 3). Durante este procedimiento se monta el martillo y el cartucho se introduce en la recámara. Ahora, la pistola está lista para disparar. Si no va a disparar de inmediato asegure el arma de cualquier forma indicada más adelante en la parte *Seguro de la pistola*.



### **Recarga durante el tiro**

Después de disparar el último cartucho, la corredera permanecerá en la posición posterior. Saque el cargador vacío e introduzca uno lleno. Con la mano que dispara presione el retén de la corredera en la dirección hacia abajo (dib. 4) o con la otra mano hale la corredera hacia atrás y suéltela (dib. 3). La pistola está nuevamente cargada y lista para disparar.

### **Descargar la pistola**

**APUNTE HACIA UN ESPACIO SEGURO!**

- Retire el cargador
- Tire hacia atrás la corredera y verifique que la recámara se encuentra vacía
- Suelte la corredera hacia adelante
- Presione el disparador (disparo en seco)

### **Seguro de la pistola**

Desplace el seguro en la dirección hacia arriba a la posición de seguridad (dib. 5), hasta que cubra la marca roja. De esta manera el mecanismo disparador y la corredera quedan bloqueados y consecuentemente no es posible apretar el disparador ni movilizar la corredera.

Dado que el mecanismo disparador fue ajustado de manera especial, es posible localizar el seguro en la posición "SEGURO" aunque el disparador esté colocado en el diente de seguridad. Sin embargo; en estos casos no active nunca el seguro de la pistola, ya que al montar el martillo con fuerza o al presionar el disparador se puede dañar el mecanismo de disparo. En caso de que se produzca un daño del mecanismo de disparo, entréguelo para su reparación a un armero certificado.

Aparte del método previamente descrito es posible mantener la pistola con el cartucho en la recámara en un estado de seguridad, en el cual está preparada para el tiro inmediato:

Agarre la pistola cargada por la empuñadura, **APUNTE HACIA UN ESPACIO SEGURO**. Con el dedo pulgar presione la superficie ranurada del martillo, presione el diparador y traslade el martillo lentamente hacia adelante (dib. 6) hasta que se apoye de la cerradura o del diente de seguridad del martillo. Afloje el disparador. ¡Lleve a cabo este procedimiento con extrema cautela para impedir un disparo no intencionado! ¡Recomendamos practicar esta operación con la pistola descargada!

En este estado la pistola se encuentra segura para una manipulación de rutina y, a su vez, queda preparada para el uso inmediato.

Recuerde, que la mejor manera de asegurar la pistola es tenerla descargada y guardada en un lugar seguro!

**Ajuste de miras**

La mira de la pistola fue ajustada en la fábrica para una distancia de 25 m de tal manera, que el punto central del impacto esté concordando aproximadamente con el punto de mira.

La corrección lateral se realiza moviendo el alza en la ranura. Antes de ajustar el alza es necesario soltar el tornillo que lo asegura. Una vez ajustada el alza hay que apretar el tornillo y asegurarlo por la aplicación Loctite 243. La corrección de altura se realiza girando el tornillo.

En caso de necesidad es posible cambiar el alza por otra apropiada, eventualmente cambiar también al guion, que se encuentra asegurado con un pasador flexible. Estas modificaciones entregue a un taller especializado.

**Ajuste del retén del cargador**

El pulsador del retén del cargador se puede ajustar en tres posiciones. Una vez elegida su posición, hay que asegurar la fijación suficiente del tornillo mediante la aplicación en la rosca de un fijador de media resistencia Loctite 243.

## INSTRUCCIONES DE MANTENIMIENTO

### Desmontaje del arma para la limpieza

APUNTAR HACIA UN ESPACIO SEGURO!

1. Retire el cargador. No es posible desmontar una pistola con el cargador adentro!
2. Desactive el seguro para poder movilizar la corredera.
3. **ASEGÚRESE QUE NO HAYA NINGÚN CARTUCHO EN LA RECÁMARA!**
4. Incline el martillo hacia atrás un poco y suéltelo, de manera que quede retenido en el diente de seguridad. En este estado la manipulación es la más fácil.
5. Pase el dedo pulgar de la mano izquierda a través del guardamonte, con los dedos restantes agarre la parte delantera de la cerradura desde arriba (dib. 7). Traslade la corredera un poco para atrás hasta que se igualen las rayas en la parte posterior del marco y de la cerradura.
6. **MANTENGA EMPAREJADAS LAS RAYAS** y desde el lado derecho presione (golpee) en el retén de la cerradura (izquierdo), por ejemplo, con el piso del cargador (dib. 8). Retire el retén de la cerradura del lado izquierdo.
7. Desplace la cerradura con el cañón para adelante.
8. Retire el muelle de avance con la guía y finalmente el cañón.

En la versión CZ Shadow 2 Orange con guía desmontable del cañón (bushing) afloje el tapón del muelle de avance y dé una pequeña vuelta con el cañón en 40° en el sentido de las manecillas del reloj y quítelo de la corredera (para dar una pequeña vuelta con la guía del cañón en la corredera utilice una llave de desmontaje incluida). Quite el tapón del muelle de avance.

9. Quite el cañón de la corredera.

Este tipo de desmontaje es suficiente para un mantenimiento rutinario. Después de disparar una mayor cantidad de cartuchos desmonte también el percutor y el cargador.

### **Desmontaje del percutor**

Presione con un objeto adecuado el extremo del percutor debajo del nivel de la placa del percutor aproximadamente en 2 mm para abajo. Sucesivamente sostenga encima de la placa del cargador el dedo pulgar para que el percutor no pueda ser lanzado desde la cerradura por completo. Mantenga mucha cautela durante este desmontaje ya que el percutor podría perderse o causar heridas después de ser lanzado.

### **Desmontaje del cargador**

Desplace el pestillo del fondo del cargador en la posición de montaje (dib. 9) o en caso de otro diseño presione el pestillo del fondo del cargador a través del agujero en el fondo del cargador. Desplace el fondo unos 5 mm hacia adelante. Después coloque el dedo pulgar sobre la base para sostener el muelle y con la otra mano desplace el fondo de sus rieles de guía. Tenga mucho cuidado, que durante este desmontaje no se produzcan heridas por el muelle lanzado.

#### **ATENCIÓN:**

No desmonte ningunas otras partes de la pistola. Si está convencido que su pistola necesita algún ajuste o reparación, asegúrese de encomendar esta tarea a un taller especializado!

### **Limpieza de la pistola**

Limpie la pistola

- Después de cada uso
- Siempre después que entre en contacto con humedad
- Lo más antes posible después del disparo
- Por lo menos una vez al año en climas templados
- En condiciones climáticas exigentes por lo menos una vez al mes

### **Limpieza del ánima y la recámara**

En caso que no se haya disparado de la pistola o si solamente se han disparado pocos cartuchos, limpie el ánima y la recámara con un pedazo de tela seca colocado en un extremo de una baqueta. Cambie los trapitos tantas veces, hasta que el último pedazo sea limpio.

Cuando el ánima se encuentre muy sucia, aplique en ella y en la recámara una solución limpiadora, deje actuar aproximadamente 10 minutos (el tiempo de actuación puede variar de acuerdo con el tipo del producto de limpieza) y limpie con un cepillo. Seque el ánima y la recámara con un pedazo de tela limpio y verifique, si se eliminaron todos los residuos. Repita el procedimiento en caso de necesidad.

Introduzca la baqueta y el cepillo en el cañón a través de la recámara para evitar que la boca del cañón se desgaste o dañe. Pase el cepillo por todo el largo del cañón antes de invertir el movimiento. Si trata de cambiar de dirección con el cepillo dentro del cañón, el cepillo podría atascarse.

## **Limpieza de otras partes de la pistola**

Las otras partes del arma (incluyendo las superficies externas del cañón) deben limpiarse con una tela seca, un cepillo de dientes viejo, un cepillo de cerdas de bronce o un raspador de madera. Durante la limpieza se puede utilizar también un aceite de preservación o querosene. Sin embargo, no emplee nunca la solución determinada para la limpieza del ánima del cañón! Estas soluciones podrían permanecer en las hendiduras de los componentes y con el tiempo causar corrosión.

Comprobar que ningún trozo de tela o alguna cerda de cepillo hayan quedado alojados en alguna parte de la pistola.

## **Conservación**

Una vez que el ánima del cañón, la recámara y todas las partes accesibles estén limpias y secas, frótelas con un paño remojado en aceite de preservación o aplique dicho aceite mediante un rociador. Retire luego el exceso de aceite.

En la versión CZ Shadow 2 Orange realice también la conservación de la parte delantera del cañón y del interior de la guía del cañón.

Antes de disparar, seque completamente el ánima del cañón. Si utiliza la pistola en temperaturas muy bajas, retire el aceite de todas las partes accesibles y aplique un lubricante especial determinado para estas condiciones climáticas.

La grasa preservante utilice únicamente en el caso de un almacenaje de larga duración en condiciones climáticas extremas. Antes de usar la pistola, retire dicha grasa por completo.

## **Tratamiento de los residuos**

Si son manejados de manera correcta, el material, los envases y los embalajes del producto no tienen ninguna incidencia negativa ni sobre la salud humana ni sobre el medio ambiente. Si necesita deshacerse del producto o su embalaje, los componentes metálicos (acero, metales de color), los plásticos, la madera y el papel-cartón tienen que ser depositados selectivamente en los contenedores destinados para estos materiales.

**ELIMINACIÓN DE FALLAS FUNCIONALES**

Con un uso y mantenimiento correcto hay muy poca probabilidad que se produzca una avería. En caso de producirse tal situación, diríjase con las siguientes instrucciones.

**ATENCIÓN** - En caso que se produzca una falla durante el disparo, aumenta notablemente la probabilidad de un disparo no intencionado. Por esta razón, durante la eliminación de la falla mantenga al pie de letra las instrucciones de seguridad indicadas más arriba. Apunte siempre hacia un espacio seguro, no dé la vuelta a la pistola enfrente suyo ni frente a otras personas, no coloque las manos delante de la boca del cañón!

<b>Falla</b>	<b>Causa probable</b>	<b>Forma de eliminarla</b>
El cartucho no entra en la recámara o no ajusta la cerradura	El cargador no está encajado suficientemente o se encuentra averiado. El arma o los cartuchos están sucios o excesivamente lubricados.	Introduzca correctamente el cargador o utilice uno nuevo.  Limpie el arma y los cartuchos, eventualmente lubrique suavemente.
Fallos al disparar	Cartucho defectuoso.  El agujero del percutor se encuentra sucio o se utilizó un lubricante inadecuado bajo temperaturas ambientales bajas.	Vuelva a apretar el disparador. Si no se produzca el disparo prosiga según el punto 19 de las Instrucciones de seguridad.  Desmonte y limpie el percutor, eventualmente utilice un lubricante para temperaturas bajas.
El disparo suena "débil", la cartuchera no fue expulsada	El fulminante se activó, pero no hubo pólvora en la cartuchera.	Descargue el arma y compruebe que la bala no ha quedado atascada en el cañón. Un siguiente disparo eventual podría ocasionar serios daños al cañón!
La vaina no ha sido expulsada	La recámara, el extractor o la munición sucios, eventualmente el uso de un lubricante inadecuado para temperaturas bajas.	Limpie y seque la pistola, eventualmente lubríquela con un lubricante adecuado. Utilice munición nueva y limpia.

Si no es posible, reparar la fallas según las instrucciones arriba descritas, entregue la pistola para una revisión y reparación en un taller especializado.

El productor se reserva el derecho de realizar cambios que podría considerar indispensables para mejorar sus modelos o para satisfacer los requerimientos de la producción o del comercio.

LISTA DE COMPONENTES

- |  |   |
|--|---|
| 1 Armazón *  | 31 Muelle del trinquete del seguro *              |
| 2 Retén de la cerradura *                          | 32 Retenedor del cargador                         |
| 3 Muelle del retenedor de la cerradura             | 33 Muelle del retenedor del cargador              |
| 4 Pasador del muelle del retenedor de la cerradura | 34 Muelle del tirante del disparador              |
| 5 Disparador *                                     | 35 Tornillo del muelle del retenedor del cargador |
| 6 Perno del disparador                             | 36 Cargador *                                     |
| 7 Tirante del disparador                           | 37 Percutor *                                     |
| 8 Muelle del disparador                            | 38 Muelle del percutor                            |
| 9 Perno (3x)                                       | 39 Placa del percutor *                           |
| 10 Eyector   | 40 Amortiguador *                                 |
| 11 Retenedor del martillo                          | 41 Muelle de avance *                             |
| 12 Muelle del retenedor del martillo               | 42 Guía del muelle de avance *                    |
| 13 Perno del retenedor del martillo                | 43 Cañón *  |
| 14 Seguro derecho *                                | 44 Cerradura *                                    |
| 15 Trinquete del seguro derecho *                  | 45 Guión  |
| 16 Martillo *                                      | 46 Pasador de la mira                             |
| 17 Interruptor *                                   | 47 -  |
| 18 Perno del martillo                              | 48 -  |
| 19 Pasador de seguro del perno del martillo        | 49 -  |
| 20 Varita del muelle de percusión *                | 50 Extractor *                                    |
| 21 Muelle de percusión                             | 51 Perno del extractor                            |
| 22 Tapón del muelle de percusión *                 | 52 Muelle del extractor                           |
| 23 Pasador del tapón del muelle de percusión       | 53 Alza *   |
| 24 Guía del cargador *                             | 54 Tornillo de seguridad (2x) *                   |
| 25 Pasador de la guía del cargador                 | 55 Tornillo del disparador *                      |
| 26 Cacha izquierda *                               | 56 Arandela (2x) *                                |
| 27 Cacha derecha *                                 | 57 Tapa *   |
| 28 Tornillo de la cacha (2x) *                     | 58 Tornillo de la capa (2x) *                     |
| 29 Seguro izquierdo *                              | 59 Placa del visor *                              |
| 30 Trinquete del seguro izquierdo                  | 60 Tornillo de la placa del visor (2x) *          |
|  | 61 Guía del cañón *                               |
|  | 62 Tapón del muelle de avance *                   |

Nota:

\* Los componentes marcados de esta manera difieren en las variadas versiones, eventualmente en algunas versiones faltan totalmente.

## LISTA DE GRÁFICOS

1. Denominación de los componentes básicos
2. Retiro del cargador
3. Cargando la pistola
4. Liberación de la corredera de su "posición de alerta" presionando el retén de la corredera
5. Puesta del seguro a la posición de seguridad
6. Liberación del martillo a la posición de reposo
7. Puesta de la cerradura a la posición para el desmontaje
8. Desplazando el retén de la corredera utilizando el fondo del cargador
9. Desmontando del cargador

## ADAPTADOR CZ KADET EN EL CAL. .22 LR

El adaptador Kadet en el calibre .22LR para pistolas CZ Shadow 2 y CZ 75 SP-01 Shadow se puede entregar en las siguientes versiones:

1. Adaptador independiente, posible de instalar en el armazón de cualquier pistola CZ Shadow 2 o CZ 75 SP-01 Shadow
2. Pistola completa CZ Shadow 2 o CZ 75 SP-01 Shadow en el calibre .22 LR

Las principales ventajas del adaptador son las siguientes:

- Conserva las características típicas de la pistola CZ Shadow
- Disparo económico, ventajoso ante todo para el entrenamiento
- Fácil montaje del adaptador en el armazón, sin la necesidad de un ajuste

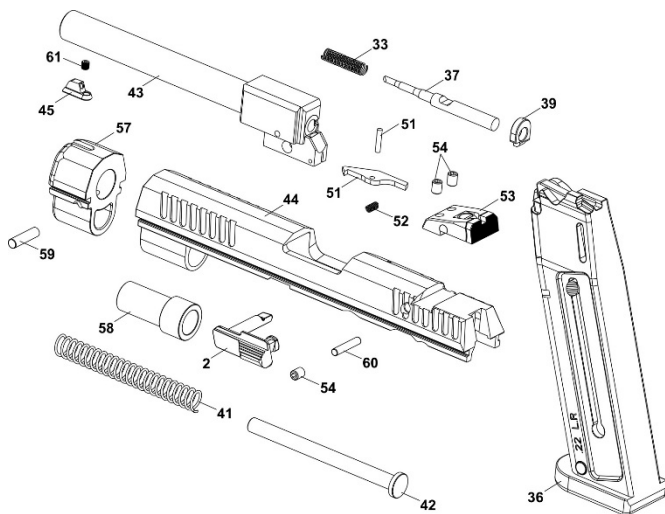
### Instalación del adaptador

Para utilizar el adaptador en el calibre .22 LR en una versión actual de la pistola no es necesario realizar ninguna modificación ni ajuste. Según las instrucciones indicadas en el capítulo *Desarme para la limpieza* hay que quitar el conjunto completo de la corredera y en el armazón de la pistola se coloca el adaptador en el calibre .22 LR. Con el adaptador hay que utilizar siempre un retén de la corredera marcado "22 LR" y un cargador en el calibre .22 LR.

El embalaje incluye dos muelles de recuperación extras, de diferentes colores. El muelle marcado con el color azul es apropiado para una munición 22.LR más débil (por ejemplo, una munición subsónica) y el de color rojo es recomendado para una munición más fuerte (por ejemplo, la versión high velocity).



## Ilustración y lista de componentes del adaptador



- |    |                              |    |                            |
|----|------------------------------|----|----------------------------|
| 2  | Retén de la corredera        | 50 | Extractor                  |
| 36 | Cargador                     | 51 | Perno del extractor        |
| 37 | Percutor                     | 52 | Resorte del extractor      |
| 38 | Resorte del percutor         | 53 | Alza                       |
| 39 | Placa del percutor           | 54 | Tornillo de seguridad (3x) |
| 41 | Muelle de avance             | 57 | Adaptador                  |
| 42 | Guía del muelle de reversión | 58 | Funda                      |
| 43 | Cañón                        | 59 | Pasador del adaptador      |
| 44 | Corredera                    | 60 | Pasador del percutor       |
| 45 | Punto de mira                | 61 | Tornillo del punto de mira |

NOTES - NOTAS - POZNÁMKY - ANMERKUNGEN - NOTICES

.....

.....

.....

.....

.....

.....

.....

.....

.....

.....

**Dříve než začnete zacházet s pistolí, seznámete se s tímto návodem a zvláště s následujícími bezpečnostními pokyny.**

Nesprávné a nedbalé zacházení s pistolí může způsobit neúmyslný výstřel, který může mít za následek zranění, smrt nebo škodu na majetku. Stejně následky mohou mít svévolné úpravy, koroze nebo používání nepředepsaných nebo poškozených nábojů. V těchto případech nemůže výrobce nést za vzniklé následky odpovědnost. Předtím, než byla tato pistole dána do prodeje, byla přezkoušena, pečlivě prohlédnuta a zabalena. CZ nemůže kontrolovat zacházení s pistolí potom, co opustí továrnu. Proto si při koupi této pistole ověřte, že je nenabitá a nepoškozená.

Tato příručka s instrukcemi by měla být vždy k pistolí přiložena a to i v případě, že pistolí někomu půjčíte nebo prodáte.

## OBSAH

BEZPEČNOSTNÍ POKYNY	35
NÁZVOSLOVÍ A POPIS PISTOLE	38
POKYNY PRO POUŽÍVÁNÍ	39
Střelivo	39
Vyjmutí zásobníku	40
Plnění zásobníku	40
Nabíjení pistole	40
Přebíjení během střelby	40
Vybití pistole	40
Zajištění pistole	41
Nastavení mířidel	41
Nastavení zádržky zásobníku	41
POKYNY PRO ÚDRŽBU	42
Rozborka pro čištění	42
Demontáž zápalníku	42
Demontáž zásobníku	42
Čištění pistole	43
Čištění vývrtu a nábojové komory	43
Čištění ostatních částí pistole	43
Konzervace	44
Nakládání s odpady	44
ODSTRAŇOVÁNÍ FUNKČNÍCH ZÁVAD	45
SEZNAM SOUČÁSTEK	46
SEZNAM OBRÁZKŮ	47
ADAPTÉR CZ KADET V RÁŽI .22 LR	47

## BEZPEČNOSTNÍ POKYNY

Dbejte dodržování bezpečnostních pokynů pro bezpečnost vaši a bezpečnost ostatních.

1. Vždy zacházejte se svou pistolí, jako kdyby byla nabitá.
2. Nikdy svou pistolí nemiřte na cokoli, na co nemíníte střílet.
3. Nikomu nevěřte, že zbraň není nabitá.
4. Než pistolí odložíte nebo předáte jiné osobě, vždy se přesvědčte, že není nabitá.
5. Pistolí přechovávejte nenabitou, s kohoutkem v přední poloze.
6. Nikdy nepoužívejte pistolí k jinému účelu než ke střelbě.
7. Nabitou pistolí nikdy nenechávejte bez dozoru.
8. Před nabitím zbraně se přesvědčte, že vývrt hlavně, komora a závěr jsou čisté a bez překážek. Pistolí znečištěnou od střelby co nejdříve vyčistěte.
9. Nestřílejte ze zbraně, pokud si nejste jisti střelivem, které používáte. Nepoužívejte neoznačené nebo ručně přebíjené střelivo neznámého původu, střelivo s naprasklou, deformovanou nebo promáčknutou nábojnicí nebo střelou vykazující známky poškození. Přebíjení je odborná činnost a nesprávně (chybně) přebíjené střelivo může být extrémně nebezpečné. Výsledkem může být těžké poškození/zničení zbraně a vážná zranění či smrt střelce i dalších osob. Používejte pouze čisté, suché, originální - továrně vyrobené střelivo vysoké kvality, v dobrém stavu, příslušné pro ráži vaší pistole.
10. Před střelbou ani během střelby nepijte alkoholické nápoje a neužívejte drogy.
11. Pokud je to možné, používejte při střelbě chrániče sluchu a ochranné střelecké brýle.
12. Když je pistole nabitá a natažena, mějte pojistku v poloze zajištěno až do okamžiku, kdy jste připraveni ke střelbě. Při odjišťování miřte do bezpečného prostoru.
13. Neblokujte výhozné okénko a dbejte na to, aby nikdo nepřekážel ve směru vyhozené nábojnice.
14. Nemačkejte spoušť ani nedávejte prsty do lučičku spouště, pokud nemířte na cíl a nejste připraveni střílet.
15. Než stisknete spoušť, ještě jednou si zkontrolujte váš cíl a prostor za ním. Střela může letět skrze nebo mimo váš cíl ještě několik stovek metrů.
16. Nikdy nestřílejte na vodní hladinu nebo na tvrdý povrch, jako je kámen.
17. Nestřílejte z pistole poblíž zvířete, pokud není na tento hluk vycvičeno.
18. Pokud držíte pistolí, nikdy se neoddávejte "hrubým žertům".
19. Selhání výstřelu: V případě, že nedojde k výstřelu, držte pistolí namířenou na cíl nebo do bezpečného prostoru a počkejte třicet sekund. Pokud nastal zpožděný zápal, náboj do třiceti sekund vystřelí. Jestliže k výstřelu nedojde, vytáhněte zásobník, vyjměte náboj z hlavně a prohlédněte zápalku. Je-li otisk od zápalníku na zápalcě slabý, mimo střed, nebo žádný, nechte před další střelbou pistolí prohlédnout kvalifikovaným zbrojířem.
20. Před čistěním, skladováním nebo dopravou se vždy přesvědčte, že vaše pistole není nabitá. Nevystřelené střelivo vyjměte ze zbraně a bezpečně uložte vsouladu se zákonnými předpisy.

21. Pistoli a střelivo přechovávejte v odděleném a uzamčeném prostoru mimo dosah a dohled dětí a nepovolaných osob. Vždy chraňte střelivo před zdrojem tepla a otevřeným ohněm.
22. Nikdy neupravujte součástky pistole. Můžete tak závažným způsobem narušit správnou funkci pistole nebo její bezpečnost.
23. Pamatujte, že koroze, použití vadných nábojů, pád pistole na tvrdý povrch nebo jiné "hrubé zacházení" může způsobit poškození, které nemusí být na první pohled patrné. Pokud k něčemu takovému dojde, nechte pistoli prověřit u odborníka.

### PRÁVIDLA BEZPEČNÉHO ZACHÁZENÍ S TRITIOVÝMI MÍŘIDLY



Tritiová mířidla pro pistole CZ tvoří sada se světelnou muškou (zářič tritium o aktivitě 0,55 GBq) a zadními světelnými mířidly - hledím (2 tritiové zářiče o aktivitě 0,55 GBq), která se montuje na zbraň pomocí přesných rybin. Tritium v plynné formě (99% HT a 1% HTO) je uzavřeno v ampulích z plastu s luminoforem a tyto ampule jsou lepidlem fixovány v kovovém pouzdře mířidla tak, aby používání a skladování mířidel nebylo spojeno s žádnými riziky. Mířidla jsou označena značkou H3 (radioaktivní tritium).

U třetí generace mířidel jsou ponechány veškeré výhodné prvky předchozí generace mířidel a je přidáno několik zlepšení:

- vestavěný tlumič nárazů
- tuhá ochranná objímka zajišťující menší citlivost mířidel na hrubé zacházení
- pevné okénko pro lepší světelný výstup a přidanou ochranou proti poškození
- odolnost při delším ponoru do běžně užívaných rozpouštědel a čistících prostředků
- zaručená nepřerušená využitelná světelnost po dobu 12-ti let
- těsnící forma chrání mířidla před náhodným poškozením, znemožňuje nežádoucí manipulaci se světelným zdrojem, zabraňuje vniknutí špíny do zorného systému a zakrytí světla
- zajišťuje jemnější přechod mezi mířením ve dne a v noci
- jednoduchá montáž (nevyžaduje žádné úpravy zbraně)
- nepřidává na hmotnosti ani objemu
- bez údržby
- nepotřebuje baterii (žádné ztráty energie v chladném počasí)

## Bezpečnostní pokyny pro případ poškození mířidel

Při běžných podmínkách skladování, používání a údržby mířidel nepředstavuje emitované ionizující záření pro uživatele žádné riziko, neboť nepronikne kovovými pouzdry, ve kterých jsou ampule se zářiči fixovány. V případě téměř nereálného náhodného poškození všech ampulí v jedné sadě mířidel v okamžiku, kdy je zbraň ve střelecké poloze (poloha s mířidly blíže ke střelci), by jednorázová efektivní dávka nepřekročila hodnotu 0,26 mSv. Co tato hodnota představuje? Je to například:

- 1/12 dávky, kterou běžný obyvatel obdrží v průběhu roku od přírodního radioaktivního pozadí (3,5 mSv / rok)
- je to méně než 1/4 obecného limitu efektivní dávky pro běžného obyvatele

## Doporučená první pomoc při vdechnutí plynného tritia

Forma plynného tritia je prakticky inertní a způsobuje mírnou vnitřní kontaminaci. Doporučuje se v případě jeho inhalace zvýšený přívod tekutin a i případné podání diuretik (pivo s nízkým obsahem alkoholu) k urychlení obratu vody v těle.

## POVINNOSTI MAJITELE TRITIOVÝCH MÍŘIDEL

1. Mířidla jsou po dobu 6,5 let od nákupu ve smyslu vyhlášky č. 307/2002 Sb., o radiační ochraně, radioaktivním zářičem.
2. Při nákupu obdrží majitel zařízení návod s pravidly pro bezpečné zacházení a doklad o těsnosti radionuklidových zářičů v sadě (osvědčení uzavřeného radionuklidového zářiče), které musí uschovat a na požádání předložit kompetentnímu úřadu.
3. Pro zacházení s typově schváleným výrobkem, který je zdrojem ionizujícího záření platí vyhláška č. 307/2002 Sb., o radiační ochraně.
4. V případě vlastnictví více jak 9 sad mířidel (úhrnná aktivita přesahující 10 GBq - drobný zdroj), má majitel dle ustanovení § 21 zákona č. 18/1977 Sb., ve znění pozdějších předpisů, ohlašovací povinnost v rozsahu uloženém mu § 22 téhož zákona.
5. Vyvarovat se takového zacházení, při kterém by mohlo dojít k hrubému mechanickému poškození mířidel.
6. Na mířidlech se nesmějí provádět změny, týkající se vlastností důležitých pro ochranu proti záření.
7. V případě zničení nebo poškození se nesmějí mířidla dále používat. Majitel musí takto změněná zařízení bezpečně zajistit a odevzdat distributorovi nebo výrobcí k bezpečné likvidaci. Stejný postup platí i při likvidaci již nepoužívaných mířidel.
8. Pro manipulaci s mířidly platí obecné zásady ochrany před ionizujícím zářením. Při běžném používání se po dobu životnosti mířidel nevyžadují zkoušky těsnosti.

Mířidla byla v České republice typově schválena rozhodnutím SÚJB č.j. SÚJB/RCAB/9960/2014.

20.4.2016  
Státní úřad pro jadernou bezpečnost  
Regionální centrum Praha  
Bartoškova 28  
140 00 Praha 4

## NÁZVOSLOVÍ A POPIS PISTOLE

Názvy základních částí pistole používané v tomto návodu jsou uvedeny na obrázku 1 na vnitřní straně obálky. Názvy všech součástí pistole jsou uvedeny v kapitole *Seznam součástí*.

Pistole řady CZ Shadow jsou samonabíjecí ruční palné zbraně s uzamčeným závěrovým systémem, určené pro sportovní střelbu do dálky 50 metrů. Jsou vybaveny dvojitým spoušťovým mechanismem SA/DA, bezpečnostním ozubem na kohoutku a oboustrannou manuální pojistkou. Mezi charakteristické vlastnosti pistolí patří:

- dvojitý spoušťový mechanismus SA/DA
- velkokapacitní dvouřadý zásobník nábojů
- dobré držení v každé ruce
- dobré výsledky při pudové střelbě (bez míření)
- nízký odpor spouště
- propad spouště je seřízen vymešovacím šroubem (nastaveno výrobcem)
- vysoká přesnost střelby
- vysoká životnost
- vysoká spolehlivost i při použití různých typů střel
- po vystřelení posledního náboje zůstane závěr otevřený
- vhodnost pro Combat střelbu
- mířidla jsou osazena světlovodnou muškou a výškově stavitelným hledím, na objednávku se montují mikrometrická mířidla
- rám je v přední části opatřen upínacími drážkami (MIL-STD-1913) pro připevnění zvláštního příslušenství

Pistole CZ SHADOW Optics Ready jsou továrně upravené zbraně pro snadnou a vysoce stabilní montáž moderních kompaktních kolimátorů široké palety osvědčených značek (např. Trijcon, Vortex, Meopta, Leupold). K hlavním výhodám pistolí CZ Optics Ready patří:

- mimořádná robustnost, pevnost a odolnost montáží
- nízká stavební výška
- snadné nastřelení kolimátoru i na větší vzdálenosti

- kompatibilita s velkým počtem osvědčených kolimátorů (optika není součástí balení)
- design sladěný s tvarovým řešením výchozích pistolí CZ

Provedení	Funkce	Pojistka	Bezpečnostní ozub
CZ Shadow 2	SA/DA	ano	ano
CZ Shadow 2 Orange	SA/DA	ano	ano
CZ Shadow 2 OR	SA/DA	ano	ano
CZ Shadow 2 SA	SA	ano	ano
CZ 75 SP-01 Shadow	SA/DA	ano	ano

### Vysvětlivky:

#### *SA (Single Action)*

Jednočinná funkce spoušťového mechanismu. Kohoutek se natáhne rukou a po stisknutí spouště dojde k výstřelu. Dráha spouště je krátká, odpor je nízký. Po každém výstřelu zůstane kohoutek natažený.

#### *DA (Double Action)*

Dvojčinná funkce spoušťového mechanismu. Během mačkání spouště se kohoutek napne a vypustí. Dráha spouště je delší a odpor je vyšší než při SA.

#### *Bezpečnostní ozub na kohoutku*

Zářez na kohoutku, který zabrání nechtěnému výstřelu v případě, že během ručního napínání kohoutku dojde k jeho vyklouznutí. Když je kohoutek na bezpečnostním ozubu, neopírá se o závěr, ale je poněkud vykloněn dozadu.

## POKYNY PRO POUŽÍVÁNÍ

### **Střelivo**

Vždy používejte střelivo dovoleného výrobního provedení, které splňuje normy stanovené pro výrobce střeliva a je schváleno organizací CIP (Mezinárodní organizace pro zkoušení ručních palných zbraní a střeliva), případně SAAMI (americká norma pro zbraně a střelivo). Použití jiných nábojů může způsobit poškození zbraně nebo zranění střelce. Při použití továrního střeliva se standardní rychlostí je používání zbraní České zbrojovky a.s. bezpečné. Zkontrolujte střelivo, které hodláte použít, abyste měli jistotu, že odpovídá ráži vaší zbraně. Komerčně vyráběné střelivo má u každého náboje označení ráže jasně vyznačeno na dně, případně okolo dna nábojnice.



## Vyjmutí zásobníku

Uchopte pistoli do pravé (levé) ruky a palcem (prostředníkem) stiskněte zádržku zásobníku (obr. 2). Zásobník se uvolní a vypadne z rámu. Pistole je opatřena univerzální zádržkou zásobníku, která může být zbrojím otočena pro ovládání pravou nebo levou rukou.

## Plnění zásobníku

Zásobník uchopte do ruky ústím nahoru. Položte náboj na přední část podavače a stlačte jej dolů a dozadu, až se dotkne zadní stěny zásobníku. Další náboj umístěte na předcházející a zasuňte stejným způsobem. Je-li v zásobníku již větší počet nábojů, je vhodné palcem ruky, která drží zásobník, poněkud stlačit sloupec nábojů.

Počet nábojů v zásobníku můžete sledovat kontrolními otvory v jeho stěnách. Nepokoušejte se překročit kapacitu zásobníku - mohlo by to způsobit vadné podání prvního náboje do komory.

## Nabíjení pistole

**PŘI NABÍJENÍ MĚJTE PISTOLI VŽDY ZAMÍŘENU DO BEZPEČNÉHO PROSTORU!**

Vsuňte plný zásobník do pistole a přesvědčte se, že je zachycen zádržkou zásobníku.

Uchopte pistoli jednou rukou za rukojeť a palcem a ukazováčkem druhé ruky uchopte drážkovanou část závěru. Závěr natáhněte směrem dozadu až na doraz a vypusťte (obr. 3). Přitom se natáhne kohoutek a do komory se zasune náboj. Nyní je pistole připravena ke střelbě. Pokud nehodláte bezprostředně střílet, zajistěte pistoli způsobem uvedeným dále v části *Zajištění pistole*.

## Přebíjení během střelby

Po vystřelení posledního náboje zůstane závěr v zadní poloze. Vyjměte prázdný zásobník a vsuňte naplněný. Střílející rukou stiskněte záchyt závěru směrem dolů (obr. 4), nebo druhou rukou natáhněte závěr dozadu a vypusťte jej (obr. 3). Pistole je opět nabita a připravena ke střelbě.

## Vybíjení pistole

**ZAMIŘTE DO BEZPEČNÉHO PROSTORU!**

- vyjměte zásobník
- natáhněte závěr a přesvědčte se, že nábojová komora je prázdná
- vypusťte závěr dopředu
- stiskněte spoušť (rána jistoty)

## Zajištění pistole

Přesuňte pojistku směrem nahoru do zajištěné polohy (obr. 5), až se zakryje červená značka. Tím zablokujete spoušťový mechanismus a závěr, takže není možné stisknout spoušť, ani pohybovat se závěrem.

Vzhledem ke speciálním úpravám spoušťového mechanismu lze natočit pojistku do polohy ZAJIŠTĚNO i když je kohoutek na bezpečnostním ozubu. V těchto případech se však zajišťovat pistolí důrazně nedoporučuje, protože při násilném natažení kohoutku nebo stisknutí spouště může být poškozen spoušťový mechanismus. Pokud takto dojde k poškození spoušťového mechanismu, nechte jej opravit u certifikovaného zbrojíře.

Kromě popsaného způsobu je možné pistolí s nábojem v komoře uvést do bezpečného stavu, ve kterém je připravena k okamžité střelbě:

Nabijte pistolí, uchopte ji za rukojeť, ZAMIŘTE DO BEZPEČNÉHO PROSTORU, palcem zatlačte na rýhovanou plochu (palečník) kohoutku, stiskněte spoušť a kohoutek pomalu přesouvejte dopředu (obr. 6), až se opře o závěr nebo bezpečnostní ozub na kohoutku. Uvolněte spoušť. Tento úkon provádějte velmi opatrně, aby nedošlo k nechtěnému výstřelu! Celý postup si nejdříve důkladně nacvičte bez nábojů!

V tomto stavu je pistole bezpečná pro běžnou manipulaci a přitom je připravena k okamžitému použití.

Pamatujte, že nejbezpečnější zajištění pistole je její vybití a uložení na bezpečném místě!

## Nastavení mířidel

Pistole byla ve výrobním podniku nastřelena na vzdálenost 25 m tak, že střední bod zásahu se přibližně shoduje se záměrným bodem.

Stranovou korekci je možné provést posunutím hledí v rybinovité drážce. Před jejím provedením je nutné povolit šroubek zajišťující hledí proti vypadnutí. Po seřízení hledí je nutné šroubek zpět zašroubovat a zajistit aplikací Loctite 243. Výšková korekce se provádí otáčením šroubu.

V případě potřeby je možné hledí nahradit jiným hledím vhodného typu, případně vyměnit i mušku, která je zajištěna pružným kolíkem. Tyto úpravy svěťte odborné dílně.

## Nastavení zádržky zásobníku

Hmatník zádržky zásobníku je možné nastavit ve třech polohách. Po výběru polohy hmatníku zádržky zásobníku použijte k zajištění dostatečné fixace šroubku použijte na závit středně pevnostní zajišťovač závitů Loctite 243.

**POKYNY PRO ÚDRŽBU****Rozborka pro čištění****ZAMIŘTE DO BEZPEČNÉHO PROSTORU!**

1. Vyměte zásobník. Pistole se zasunutým zásobníkem je nerozebíratelná!
2. Odjistěte pojistku, aby bylo možné pohybovat se závěrem.
3. **PŘESVĚDČTE SE, ŽE V NÁBOJOVÉ KOMOŘE NENÍ NÁBOJ!**
4. Vykleňte kohoutek mírně dozadu a uvolněte jej, takže zůstane zachycen na bezpečnostním ozubu. V tomto stavu bude další manipulace nejsnazší.
5. Prostrčte palec levé ruky lučičkem, zbývajícími prsty uchopte shora přední část závěru (obr. 7). Závěr posuňte kousek dozadu, až se rýsky v zadní části rámu a závěru vyrovnají.
6. **DRŽTE RYSKY VYROVNANÉ** a z pravé strany zatlačte (klepněte) na záchyty závěru (levý), např. dnem zásobníku (obr. 8). Vyměte záchyty závěru z levé strany.
7. Závěr s hlavní vysuňte dopředu.
8. Vyměte předsuvnou pružinu s vedením.

U provedení CZ Shadow 2 Orange s vyjímatelným vedením hlavně (bushingem) uvolněte zátku předsuvné pružiny a otočte vedením hlavně ve směru hodinových ručiček o 40° a vysuňte ho ze závěru (k otočení vedení hlavně v závěru použijte příložený demontážní klíč). Vyměte zátku předsuvné pružiny.

9. Vyměte hlavěň ze závěru.

Potud provedená rozborka pro běžnou údržbu stačí. Po vystřelení velkého počtu nábojů demontujte rovněž zápalník a zásobník.

**Demontáž zápalníku**

Zatlačte vhodným předmětem konec zápalníku pod úroveň desky zápalníku a vysuňte desku asi o 2 mm dolů. Potom přidržte nad deskou zápalníku palec, aby nemohl být zápalník vymrštěn ze závěru a druhou rukou vysuňte desku zápalníku zcela ze závěru. Při této demontáži buďte velmi opatrní, neboť zápalník může být po vymrštění ztracen nebo může způsobit zranění.

**Demontáž zásobníku**

Přesuňte západku dna zásobníku do demontážní polohy (obr. 9) nebo v případě jiného konstrukčního řešení, otvorem ve dně zásobníku zatlačte na západku dna. Vysuňte dno zásobníku asi o 5 mm dopředu. Potom dejte nade dno palec, abyste jím přidrželi pružinu a

druhou rukou vysuňte dno z vodicích drážek. Při této demontáži buďte velmi opatrní, aby nedošlo ke zranění vymrštnou pružinou.

### UPOZORNĚNÍ:

Žádné další díly pistole nedemontujte. Pokud se domníváte, že pistole vyžaduje seřízení nebo opravu, svěťte ji odborné dílně!

### Čistění pistole

Čistěte pistoli

- po každém použití
- po každém navlhnutí
- co nejdříve po střelbě
- v mírných klimatických podmínkách nejméně jednou za rok
- v náročných klimatických podmínkách nejméně jednou měsíčně

### Čistění vývrtu a nábojové komory

Pokud nebylo z pistole stříleno nebo bylo vystřeleno jen několik nábojů, vytřete vývrt a nábojovou komoru suchým hadříkem navlečeným do vytěráku. Hadříky vyměňujte tak dlouho, až bude poslední kousek čistý.

Pokud je vývrt silně znečištěn, naneste do něj a do komory kartáčkem čistící roztok, nechte asi 10 minut působit (doba působení se může u různých čistících prostředků lišit) a vyčistěte kartáčkem. Vysušte vývrt a komoru čistým hadříkem a zkontrolujte, zda byly všechny spaliny odstraněny. V případě potřeby postup opakujte.

Vytěrák i kartáček zasouvajte do hlavně od komory, abyste nepoškodili ústí hlavně. Kartáček protlačujte celou hlavní, než změňte směr pohybu. Pokud byste změnili směr pohybu s kartáčkem v hlavní, mohl by se kartáček v hlavní vzpříčit.

### Čistění ostatních částí pistole

Ostatní části pistole (včetně vnějších ploch hlavně) čistěte suchým hadříkem, starým kartáčkem na zuby, mosazným kartáčkem nebo dřevěnou škrabkou. Při čištní můžete použít i konzervační olej nebo petrolej. Nikdy však nepoužívejte roztok určený pro čištní vývrtu! Ten by mohl zůstat ve spárách mezi součástkami a po delší době způsobit korozi.

Přesvědčte se, že zbytky hadříku nebo štětiny z kartáčku neuvízly v žádné části pistole.

## Konzervace

Vývrt, nábojovou komoru a všechny přístupné součásti po vyčištění do sucha potřete hadříkem zvlhčeným v konzervačním oleji nebo použijte olej ve spreji. Přebytečný olej setřete.

U provedení CZ Shadow 2 Orange proveďte rovněž konzervaci přední části hlavně a vnitřního průměru vedení hlavně.

Před střílbou vytřete vývrt do sucha. Používáte-li pistoli při nízkých teplotách, odstraňte olej ze všech přístupných částí nebo použijte speciální mazadlo určené pro tyto podmínky.

Konzervační vazelínu použijte jen pro dlouhodobé skladování v náročných klimatických podmínkách a před použitím pistole ji důkladně odstraňte.

## Nakládání s odpady

Materiály výrobku a obalu nemají při správném používání žádné negativní dopady na zdraví člověka ani životní prostředí. V případě nutnosti odstranění výrobku nebo jeho obalu platí, že kovové součásti (ocel a barevné kovy), plasty, dřevo, papír a lepenka se ukládají odděleně do sběrných nádob k tomu určených.

## ODSTRAŇOVÁNÍ FUNKČNÍCH ZÁVAD

Při správném používání a údržbě je pravděpodobnost vzniku závad minimální. Pokud tato situace přesto nastane, řiďte se následujícími pokyny.

**POZOR** - pokud vznikne při střelbě závada funkce, mimořádně se zvyšuje pravděpodobnost nechtěného výstřelu. Proto při odstraňování závady důsledně dodržujte dříve uvedené bezpečnostní pokyny. Mířte neustále do bezpečného prostoru, neotáčejte pistolí proti sobě ani proti jiným osobám, nedávejte ruce před ústí hlavně!

Závada	Pravděpodobná příčina	Způsob odstranění
Nepodání náboje do komory nebo nedovření závěru	Zásobník není dostatečně zasunut nebo je poškozený. Zbraň nebo náboje jsou znečištěny nebo příliš silně namazány.	Zasuňte řádně zásobník nebo použijte jiný. Vyčistěte zbraň a náboje do sucha, případně lehce namažte.
Selhač	Použitý náboj je vadný.  Znečištěný otvor pro zápalník nebo nevhodné mazadlo při nízké okolní teplotě.	Znovu stiskněte spoušť. Pokud nedojde k výstřelu, postupujte podle bodu 19 bezpečnostních pokynů.  Demontujte a vyčistěte zápalník, případně použijte mazadlo pro nízké teploty.
"Slabá rána" spojená s nevyhozením nábojnice	Zápalka byla aktivována, ale v nábojnici nebyl prach.	Vybijte zbraň a přesvědčte se, zda střela neuvízla v hlavni. Případný další výstřel by mohl vážně poškodit hlavě!
Nevyhození	Znečištěná nábojová komora, vytahovač nebo střelivo, případně použití nevhodného mazadla při nízké teplotě.	Vyčistěte pistolí do sucha, případně lehce namažte vhodným mazadlem. Používejte nové čisté střelivo.

Pokud nelze závadu odstranit žádným z výše uvedených způsobů, svěťte pistolí k prohlídce a opravě odborné dílně.

Výrobce si ponechává právo provést změny, které považuje za nezbytné pro vylepšení svých modelů, nebo aby vyhověl požadavkům výrobní nebo obchodní povahy.

## SEZNAM SOUČÁSTEK

1 Rám *	32 Zadržka zásobníku
2 Záchyt závěru *	33 Pružina zádržky zásobníku
3 Pružina záchytu závěru	34 Pružina táhla spouště
4 Kolík pružiny záchytu závěru	35 Šroub pružiny zádržky zásobníku
5 Spoušť *	36 Zásobník *
6 Čep spouště	37 Zápalník *
7 Táhlo spouště	38 Pružina zápalníku
8 Pružina spouště	39 Deska zápalníku
9 Čep (3x)	40 Nárazník *
10 Vyhazovač	41 Předsvuná pružina *
11 Záchyt kohoutku	42 Vedení předsvuné pružiny *
12 Pružina záchytu kohoutku	43 Hlaveň *
13 Čep záchytu kohoutku	44 Závěr *
14 Pojistka pravá *	45 Muška
15 Západka pojistky pravá *	46 Kolík mušky *
16 Kohoutek *	47 -
17 Přerušovač *	48 -
18 Čep kohoutku	49 -
19 Pojistný kolík čepu kohoutku	50 Vytahovač *
20 Tyčka bicí pružiny *	51 Čep vytahovače
21 Bicí pružina	52 Pružina vytahovače
22 Zátka bicí pružiny *	53 Hledí *
23 Kolík zátky bicí pružiny	54 Zajišťovací šroub (2x) *
24 Vedení zásobníku *	55 Šroub spouště *
25 Kolík vedení zásobníku	56 Vějířovitá podložka (2x) *
26 Střenka levá *	57 Krytka *
27 Střenka pravá *	58 Šroub krytky (2x) *
28 Šroub střenky (2x) *	59 Deska kolimátoru *
29 Pojistka levá *	60 Šroub desky kolimátoru (2x) *
30 Západka pojistky levá	61 Vedení hlavně *
31 Pružina západky pojistky *	62 Zátka předsvuné pružiny *

Poznámka:

\* Takto označené součástky jsou u jednotlivých provedení odlišné, případně u některých provedení zcela chybí.

**SEZNAM OBRÁZKŮ**

1. Názvosloví hlavních dílů
2. Vyjmutí zásobníku
3. Nabíjení pistole
4. Vypuštění závěru ze "střelecké pohotovosti" stlačením záchyty závěru
5. Přesunutí pojistky do zajištěné polohy
6. Vypuštění kohoutku do klidové polohy
7. Nastavení závěru do demontážní polohy
8. Vyjmutí záchyty závěru s využitím dna zásobníku
9. Demontáž zásobníku

**ADAPTÉR CZ KADET V RÁŽI .22 LR**

Adaptér Kadet v ráži .22 LR lze pro pistole CZ Shadow 2 a CZ 75 SP-01 Shadow dodávat v těchto variantách:

1. Samostatný adaptér, který může být zamontován na rám libovolné pistole CZ Shadow 2 nebo CZ 75 SP-01 Shadow
2. Kompletní pistole CZ Shadow 2 nebo CZ 75 SP-01 Shadow v ráži .22 LR

Mezi hlavní přednosti adaptéru patří:

- zachování typických vlastností pistolí CZ Shadow
- ekonomičnost střelby, výhodná zejména při tréninku
- snadná montáž adaptéru na rám, bez nutnosti dolícování

**Instalace adaptéru**

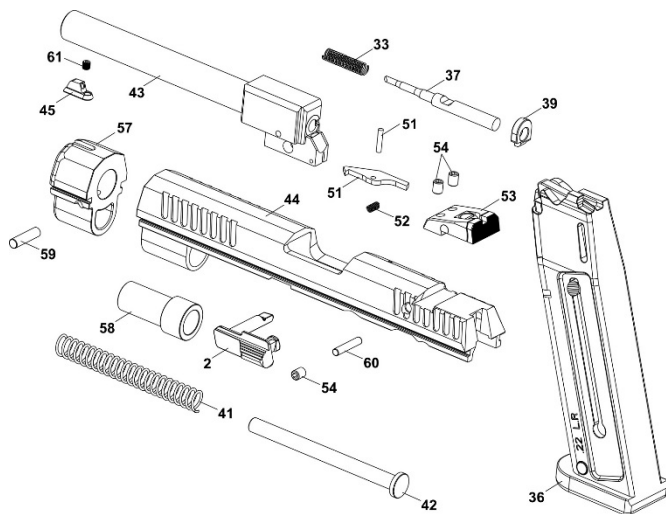
Pro použití adaptéru v ráži .22 LR na existujícím provedení pistole není potřeba provádět žádné úpravy ani dolícování. Dle pokynů popsaných v kapitole *Rozborka pro čištění* se provede sejmутí existující sestavy závěru úplného a na rám pistole se namontuje adaptér v ráži .22 LR. S adaptérem je vždy nutné používat dodaný záchyt závěru označený "22 LR" a zásobník v ráži .22 LR.

Ke zbrani je přibalena dvojice barevně odlišených vratných pružin. Modře značená je vhodná pro slabší laborace střeliva .22LR (například subsonické střelivo). Červeně značená pak pro silnější střelivo (například provedení high velocity).



# NÁVOD NA POUŽITÍ

## Vyobrazení a seznam součástek adaptéru



2	Záchyt závěru	50	Vytahovač
36	Zásobník	51	Čep vytahovače
37	Zápalník	52	Pružina vytahovače
38	Pružina zápalníku	53	Hledí
39	Deska zápalníku	54	Zajišťovací šroub (3x)
41	Předsuvná pružina	57	Nástavec
42	Vedení předsuvné pružiny	58	Pouzdro
43	Hlaveň	59	Kolík nástavce
44	Závěr	60	Kolík zápalníku
45	Muška	61	Šroub mušky

**Bevor Sie anfangen mit der Pistole umzugehen, machen Sie sich bitte mit dieser Anleitung und besonders mit folgenden Sicherheitsanweisungen vertraut.**

Falscher oder nachlässiger Umgang mit der Pistole kann einen unbeabsichtigten Schuss verursachen, der Verletzung, Tod oder Sachschaden zur Folge haben kann. Die gleichen Folgen können eigenmächtige Änderungen, Korrosion oder Gebrauch von nicht vorschriftsmäßiger bzw. beschädigter Munition haben. In diesen Fällen kann der Hersteller keine Verantwortung für entstehende Folgen tragen. Bevor die Pistole in den Verkauf gebracht wurde, wurde sie überprüft, sorgfältig durchgesehen und verpackt. Nachdem die Pistole das Herstellerwerk verlassen hat, kann CZ den weiteren Umgang mit ihr nicht kontrollieren. Überprüfen Sie deshalb beim Kauf der Pistole, dass sie weder geladen noch beschädigt ist.

Diese Bedienungsanleitung sollte der Pistole immer beigelegt sein. Dies gilt auch für den Fall, dass Sie die Pistole jemandem verleihen oder verkaufen.

## **INHALT**

SICHERHEITSANWEISUNGEN	50
FACHAUSDRÜCKE UND BESCHREIBUNG DER PISTOLE	54
GEBRAUCHSANWEISUNG	55
Munition	55
Herausnehmen des Magazins	56
Füllen des Magazins	56
Laden der Pistole	56
Nachladen während des Schießens	56
Entladen der Pistole	57
Sicherung der Pistole	57
Einstellen der Visierungen	58
Einstellen des Magazinsperrstücks	58
PFLEGEANWEISUNGEN	59
Zerlegen zur Reinigung	59
Demontage des Schlagstiftes	60
Demontage des Magazins	60
Reinigen der Pistole	60
Reinigung der Laufbohrung und der Patronenkammer	60
Reinigung der anderen PISTOLENTEILE	61
Konservierung	61
Abfallentsorgung	61
VERZEICHNIS DER BESTANDTEILE	62
BEHEBUNG VON FUNKTIONSSTÖRUNGEN	63
VERZEICHNIS DER ABBILDUNGEN	64
CZ ADAPTER KADET KALIBER .22 LR	64

## SICHERHEITSANWEISUNGEN

Beachten Sie, zu Ihrer und anderer Personen Sicherheit, folgende Sicherheitsanweisungen.

1. Gehen Sie stets mit Ihrer Pistole so um, als ob sie geladen wäre.
2. Zielen Sie mit Ihrer Pistole nie auf etwas, worauf Sie zu schießen nicht beabsichtigen.
3. Glauben Sie niemandem, dass die Pistole nicht geladen ist.
4. Bevor Sie die Pistole ablegen oder an eine andere Person übergeben, überzeugen Sie sich immer davon, dass sie nicht geladen ist.
5. Bewahren Sie die Pistole ungeladen, mit dem Abzug in der vorderen Position auf.
6. Verwenden Sie die Pistole nie zu anderen Zwecken als zum Schießen.
7. Lassen Sie die geladene Pistole niemals ohne Aufsicht.
8. Überzeugen Sie sich vor dem Laden der Pistole, dass die Laufbohrung, Kammer und Verschluss sauber und hindernisfrei sind. Reinigen Sie baldmöglichst durch das Schießen verschmutzte Waffe.
9. Nicht mit der Waffe schießen, wenn Sie sich nicht sicher sind, was für Munition Sie benutzen. Keine nicht gekennzeichnete oder wiedergeladene Munition unbekannter Herkunft, Munition mit geplatzter, deformierter oder eingebeulter Hülse oder beschädigte Munition benutzen. Das Wiederladen ist eine spezialisierte Tätigkeit und falsch geladene Munition kann extrem gefährlich sein. Folge können schwere Beschädigung oder die Zerstörung der Waffe und ernste Verletzungen oder Tod des Schützen oder auch weiterer Personen sein. Benutzen Sie nur saubere, trockene, original in der Fabrik gefertigte Munition von hoher Qualität, die für Ihr Pistolenkaliber geeignet ist.
10. Vermeiden Sie vor und während des Schießens Genuss von Alkoholgetränken und nehmen Sie keine Drogen ein.
11. Falls möglich, tragen Sie beim Schießen Gehörschutz und Schutzbrille.
12. Wenn die Pistole geladen ist, lassen Sie die Sicherung in der Stellung gesichert bis zu dem Zeitpunkt, an dem Sie schussbereit sind. Zielen Sie beim Entsichern in eine sichere Richtung.
13. Blockieren Sie niemals die Auswurföffnung und achten Sie darauf, dass niemand in der Auswurfrichtung der Patronenhülse steht.
14. Betätigen Sie nicht den Abzug und stecken Sie Ihre Finger nicht in den Abzugsbügel, wenn Sie nicht auf ein Ziel zielen und zum Schießen nicht bereit sind.
15. Bevor Sie den Abzug betätigen, kontrollieren Sie nochmals Ihr Ziel und den Raum hinter ihm. Das Geschoss kann durch Ihr Ziel hindurch oder auch an ihm vorbei noch einige hundert Meter weiterfliegen.
16. Schießen Sie niemals auf Wasserfläche oder auf harte Fläche wie Stein.
17. Schießen Sie nicht, wenn sich in der Nähe ein Tier befindet, das auf diesen Lärm nicht dressiert ist.
18. Wenn Sie die Pistole in den Händen halten, unterlassen Sie alle "groben Scherze".

19. Beim Schussversagen: Im Fall eines Schussversagens halten Sie die Pistole weiter auf das Ziel oder in eine sichere Richtung gerichtet und warten Sie 30 Sekunden ab. Wenn es zu einer verzögerten Zündung gekommen ist, schießt die Patrone binnen 30 Sekunden ab. Falls es zur Schussabgabe nicht kommt, ziehen Sie das Magazin heraus, nehmen Sie die Patrone aus dem Lauf und besichtigen Sie das Zündhütchen. Falls der Abdruck vom Schlagstift auf dem Zündhütchen schwach, außerhalb der Mitte, oder gar keiner ist, lassen Sie die Pistole vor weiterem Schießen durch einen qualifizierten Waffenmeister besichtigen.
20. Nicht verschossene Munition aus der Waffe nehmen und sicher gemäß gesetzlicher Vorschriften lagern. Stellen Sie sicher, daß die Pistole nicht geladen ist, bevor Sie die Waffe reinigen, lagern oder transportieren.
21. Bewahren Sie Pistole und Munition in separaten und verschlossenen Behältern außerhalb des Sichtbereichs und des Zugriffs von Kindern bzw. unbefugten Personen auf. Munition immer vor Wärmequellen und offenem Feuer schützen.
22. Ändern Sie nie etwas an den Pistolenbestandteilen. Sie können dadurch die richtige Funktion der Pistole oder deren Sicherheit in ernsthafter Weise beeinträchtigen.
23. Denken Sie daran, dass Korrosion, Gebrauch von defekter Munition, Aufprallen der Pistole auf eine harte Oberfläche oder anderweitiger "grober Umgang" eine Beschädigung herbeiführen kann, die auf den ersten Blick nicht erkennbar sein muss. Kommt es zu etwas Derartigem, lassen Sie die Pistole von einem Fachmann überprüfen.

### RICHTLINIEN ZUR SICHEREN BEHANDLUNG DER TRITIUMVISIERVORRICHTUNG

Die Tritiumvisiervorrichtung für Pistolen CZ bildet ein Satz von einem leuchtenden Korn (Tritiumstrahler mit der Aktivität von 0,55 GBq) und einem leuchtenden Visier (2 Tritiumstrahler mit der Aktivität von 0,55 GBq), das an die Waffe mittels des präzisen Schwalbenschwanzes angebracht wird. Das Tritium im gasförmigen Zustand (99% HT und 1% HTO) ist in den Ampullen aus Kunststoff mit dem Lumineszenzelement geschlossen und in diese Ampullen sind durch das Kleber in der metallischen Kapsel der Visiervorrichtung fixiert, damit die Behandlung und die Lagerung der Visiervorrichtung irgendwelchen Gefahren nicht ausgesetzt wird. Die Visiervorrichtung ist mit dem Kennzeichen H3 (radioaktives Tritium) gekennzeichnet.

Die dritte Generation der Visiervorrichtung behält alle vorteilhaften Merkmale der vorhergehenden Generation der Visiervorrichtungen und einige Verbesserungen werden zugesetzt:

- eingebauter Stoßdämpfer
- feste Schutzbuchse, die weniger Empfindlichkeit der Visiervorrichtung gegen grobe Behandlung bereitstellt
- unbewegliches Fenster für besseren Lichtausgang mit zusätzlichem Schutz gegen eine Beschädigung



- Beständigkeit gegen eine längere Versenkung in handelsüblichen Lösungs- und Reinigungsmitteln
- garantierte ununterbrochene nützliche Lichtintensität in der Zeit von 12 Jahren
- die Dichtungsform schützt die Visiervorrichtung gegen eine unbeabsichtigte Beschädigung, vermeidet die unerwünschte Handhabung mit der Lichtquelle, verhindert den Schmutz in das Sichtsystem einzudringen und das Licht zu decken
- stellt den feineren Übergang zwischen dem Zielen während des Tages und in der Nacht bereit
- einfache Montage (keine Änderungen an der Waffe sind notwendig)
- erhöht das Gewicht noch die Größe nicht
- keine Wartung
- benötigt keine Batterie (keine Verluste der Energie im kalten Wetter)

### **Sicherheitsanweisungen im Falle der Beschädigung der Visiervorrichtung**

Bei den üblichen Bedingungen der Lagerung, des Gebrauches und der Wartung stellt die ionisierende Strahlung keine Gefahr für den Benutzer vor, weil sie die metallische Kapseln, in welchen die Ampullen mit Strahler fixiert sind, nicht eindringt. Im Falle einer fast unregelmäßigen Beschädigung aller Ampullen in einem Satz im Augenblick, wenn die Waffe in der Schiessposition (Position des Visiers näher zum Schützer) ist, würde die einzelne wirkungsvolle Strahlungsdosis den Wert von 0,26 mSv nicht übersteigen. Was dieser Wert stellt vor? Es ist zum Beispiel:

- 1/12 der Dosis, die ein gewöhnlicher Einwohner im Laufe des Jahres von dem natürlichen radioaktiven Hintergrund bekommt (3,5 mSv / Jahr)
- weniger als 1/4 des allgemeinen Limits der wirkungsvollen Dosis für einen gewöhnlichen Einwohner

### **Empfohlene Erste Hilfe bei der Inspiration des Tritiumgases**

Der Zustand des Tritiumgases ist praktisch innerlich und verursacht nur eine leichte interne Kontamination. Im Falle seiner Inhalation empfiehlt man die Zuführung der Flüssigkeiten zu erhöhen und eventuell ein Diuretikum (ein Bier mit niedrigem Inhalt von Alkohol) zur Beschleunigung des Körperwasseraustausches zu nehmen.

**VERPFLICHTUNGEN DES INHABER DER VISIERVORRICHTUNG MIT TRITIUM**

1. Die Visier Vorrichtung ist ein radioaktiver Strahler in der Zeit von 6,5 Jahren seit dem Erwerb entsprechend der Gesetzgebung der Tschechischen Republik.
2. Am Erwerb erhält der Inhaber eine Einleitung mit Richtlinien zur sicheren Behandlung und ein Dokument über die Dichtigkeit der Radionuklidstrahler im Satz (Zertifikat des geschlossenen Radionuklidstrahler), diese müssen aufbewahrt und auf Antrag der zuständigen Behörde vorgelegt werden.
3. Für die Behandlung des als Typ genehmigten Produktes, das die Quelle der ionisierenden Strahlung ist, soll man die nationale Vorschriften für Schutz gegen die ionisierende Strahlung respektieren (die zugehörige nationale Gesetzgebung).
4. Für den Fall, dass man besitzt mehr als 9 Sätzen der Visier Vorrichtungen (die Gesamtaktivität steigt 10 GBq über), muss der Inhaber über die Verpflichtungen resultierenden aus der zuständigen nationalen Gesetzgebung an der kompetenten Behörde sich informieren.
5. Es ist solche Handhabung, bei der zu einer groben mechanischen Beschädigung kommen könnte, zu vermeiden.
6. Auf der Visier Vorrichtung darf man keine Änderungen, betreffend die Eigenschaften wichtigen für den Schutz gegen die Strahlung, durchführen.
7. Falls die Visier Vorrichtung zerstört oder beschädigt wurde, darf die Visier Vorrichtung weiter nicht verwendet werden. Der Inhaber muss so geänderte Vorrichtung sicherstellen und dem Verteiler oder Hersteller zur sicheren Liquidation abgeben. Das gleiche Verfahren gilt auch für Liquidation der Visier Vorrichtung, die man weiter nicht verwendet.
8. Für die Handhabung der Visier Vorrichtung gelten allgemeine Grundregeln des Schutzes gegen die ionisierende Strahlung. Bei dem üblichen Gebrauch werden keine Prüfungen der Dichtigkeit während der Lebensdauer der Visier Vorrichtung verlangt.

Die Visier Vorrichtung wurde in der Tschechischen Republik als Typ durch die Entscheidung der zuständigen Behörde SBKS AZ SÚJB/RCAB/9960/2014 genehmigt.

20.4.2016  
Státní úřad pro jadernou bezpečnost  
Regionální centrum Praha  
Bartoškova 28  
140 00 Praha 4

## FACHAUSDRÜCKE UND BESCHREIBUNG DER PISTOLE

Die in dieser Anleitung verwendeten Bezeichnungen der grundlegenden Pistolenbestandteile sind in Abbildung 1 auf der Innenseite des Umschlags angeführt. Die Namen aller Bestandteile der Pistole sind im Kapitel *Verzeichnis der Bestandteile* angeführt.

Die Pistole CZ Shadow 2 ist eine Selbstlade-Handfeuerwaffe mit geschlossenem Verschlusssystem, die für Sportschießen bis zur Entfernung von 50 Metern bestimmt ist. Sie ist mit doppelwirkendem Abzugsmechanismus SA/DA, Sicherheitsabzugsnase am Abzug und beiderseitiger manueller Sicherung ausgestattet. Zu den charakteristischen Eigenschaften der Pistole gehören:

- doppelwirkender Abzugsmechanismus SA/DA
- zweireihiges Patronenmagazin mit großer Kapazität
- gutes Halten in jeder Hand
- gute Ergebnisse bei instinktivem Schießen/Deutschießen (ohne zu zielen)
- niedriger Abzugswiderstand
- der Nachlauf des Abzugs ist mittels Distanzschraube eingestellt (eingestellt vom Hersteller)
- hohe Treffgenauigkeit
- hohe Lebensdauer
- hohe Zuverlässigkeit auch bei Verwendung von verschiedenen Geschosstypen
- nach Abfeuern der letzten Patrone bleibt der Verschluss geöffnet
- Eignung für Combatschießen
- Visierungen sind mit Leuchtkorn und höhenverstellbarem Visier bestückt, auf Bestellung werden Mikrometervisierungen montiert
- der Rahmen ist im vorderen Teil mit Aufspann-Nuten (MIL-STD-1913) für Befestigung von Sonderzubehör versehen

Pistolen CZ SHADOW Optics Ready sind fabrikmäßig für einfache und hochstabile Montage moderner, kompakter Kollimatoren bewährter Marken (z.B. Trijicon, Vortex, Meopta, Leupold) vorbereitet. Zu den Hauptvorzügen der Pistolen CZ Optics Ready gehören:

- außerordentliche Robustheit, Festigkeit und Beständigkeit der Montage
- niedrige Bauhöhe
- einfaches Einschießen des Kollimators auch auf größere Entfernungen
- Kompatibilität mit vielen bewährten Kollimatoren (Optik nicht im Lieferumfang)
- Design ist der Form der Pistole CZ angepasst

Ausführung	Funktion	Manuelle Sicherung	Sicherheits abzugsnase
CZ Shadow 2	SA/DA	ja	ja
CZ Shadow 2 Orange	SA/DA	ja	ja
CZ Shadow 2 OR	SA/DA	ja	ja
CZ Shadow 2 SA	SA	ja	ja
CZ 75 SP-01 Shadow	SA/DA	ja	ja

### Erläuterungen:

#### *SA (Single Action)*

Einfachwirkende Funktion des Abzugsmechanismus. Der Abzug wird manuell aufgezogen und nach Abdrücken des Abzugs kommt es zum Schuss. Der Weg des Abzugs ist kurz, der Widerstand niedrig. Nach jedem Schuss bleibt der Abzug gespannt.

#### *DA (Double Action)*

Doppelwirkende Funktion des Abzugsmechanismus. Während des Abdrückens des Abzugs wird der Abzug gespannt und freigegeben. Der Weg des Abzugs ist länger und der Widerstand höher als bei SA.

#### *Sicherheitsrast*

Ein Einschnitt am Abzug, der einen ungewollten Schuss in dem Fall verhindert, dass es während des manuellen Spannens des Abzugs zu seinem Entgleiten kommt. Wenn sich der Abzug an der Sicherheitsnase befindet, stützt er sich an dem Verschluss nicht auf, sondern ist er ein wenig nach hinten geschwenkt.

## **GEBRAUCHSANWEISUNG**

### **Munition**

Immer Munition zulässiger Produktionsausführung, die die Normen für Munitionshersteller erfüllen und von der C.I.P. (Ständige Internationale Kommission für die Prüfung von Handfeuerwaffen), bzw. SAAMI (amerikanische Norm für Waffen und Munition) genehmigt sind. Der Gebrauch von anderen Patronen kann Waffenbeschädigungen oder Verletzungen des Schützen verursachen. Bei der Benutzung von Fabrikmunition mit Standardgeschwindigkeit ist die Benutzung der Waffen der Česká zbrojovka a.s. sicher. Kontrollieren Sie die Munition, die Sie benutzen wollen, damit Sie die Sicherheit haben, dass sie dem Kaliber Ihrer Waffe entspricht. Bei kommerziell produzierter Munition ist auf jeder Patrone das Kaliber klar auf dem Boden oder am Bodenrand gekennzeichnet.



### **Herausnehmen des Magazins**

Fassen Sie die Pistole in die rechte (linke) Hand und drücken Sie mit Daumen (Mittelfinger) den Magazinfang (Abb. 2). Das Magazin wird gelöst und fällt aus dem Rahmen hinaus. Die Pistole ist mit universalem Magazinfang versehen, der vom Waffenmeister für Betätigung mit rechter oder linker Hand gedreht werden kann.

### **Füllen des Magazins**

Fassen Sie das Magazin in die Hand mit der Mündung nach oben. Legen Sie die Patrone auf den vorderen Teil des Zubringers und drücken Sie sie nach unten und nach hinten soweit, bis sie die hintere Wand des Magazins berührt. Setzen Sie nächste Patrone auf die vorhergehende auf und schieben Sie diese auf die gleiche Art und Weise ein. Es ist angebracht, falls sich im Magazin bereits größere Anzahl von Patronen befindet, mit dem Daumen der Hand, die das Magazin hält, die Patronensäule ein wenig herunterzudrücken.

Sie können die Anzahl der Patronen im Magazin durch die Kontrollöffnungen in seinen Wänden betrachten. Versuchen Sie nicht, die Kapazität des Magazins zu überschreiten – dies könnte fehlerhaftes Zubringen der ersten Patrone in die Kammer verursachen.

### **Laden der Pistole**

**ZIELEN SIE BEIM LADEN MIT DER PISTOLE IMMER IN EINE SICHERE RICHTUNG!**

Schieben Sie das volle Magazin in die Pistole ein und überzeugen Sie sich davon, dass es durch den Magazinfang eingerastet ist.

Fassen Sie die Pistole mit einer Hand am Pistolengriff an und fassen Sie mit dem Daumen und Zeigefinger der zweiten Hand den gerillten Teil des Verschlusses an. Ziehen Sie den Verschluss bis zum Anschlag zurück und lassen Sie ihn vorschnellen (Abb. 3). Dabei wird der Abzug gespannt und in die Kammer eine Patrone eingeschoben. Jetzt ist die Pistole schussbereit. Falls Sie nicht beabsichtigen, unmittelbar zu schießen, sichern Sie die Pistole auf die im Kapitel *Sicherung der Pistole* angeführte Art und Weise ab.

### **Nachladen während des Schießens**

Nach dem Abfeuern der letzten Patrone bleibt der Verschluss in der hinteren Position. Nehmen Sie das leere Magazin heraus und schieben Sie ein gefülltes hinein. Drücken Sie mit der schießenden Hand den Verschlussfang hinwärts (Abb. 4), oder ziehen Sie mit der zweiten Hand den Verschluss zurück und lassen Sie ihn vorschnellen (Abb. 3). Die Pistole ist wieder geladen und zum Schießen bereit.

**Entladen der Pistole**

ZIELEN SIE IN EINE SICHERE RICHTUNG!

- Nehmen Sie das Magazin heraus
- Ziehen Sie den Verschluss zurück und überzeugen Sie sich, dass die Patronenkammer leer ist
- Lassen Sie den Verschluss vorschnellen
- Betätigen Sie den Abzug (Sicherheitsschuss)

**Sicherung der Pistole**

Verschieben Sie die Sicherung nach oben in die gesicherte Stellung (Abb. 5), bis der rote Punkt verdeckt wird. Dadurch werden der Abzugsmechanismus sowie der Verschluss blockiert, sodass es nicht möglich ist, den Abzug zu drücken oder den Verschluss zu bewegen.

Man kann in Anbetracht der speziellen Anpassungen des Abzugsmechanismus die Sicherung in die Position GESICHERT schwenken, auch wenn der Hahn sich an der Sicherheitsnase befindet. Es wird in diesen Fällen jedoch ausdrücklich nicht empfohlen, die Pistole zu sichern, weil beim gewaltsamen Spannen des Hahns oder beim Betätigen des Abzugs der Abzugsmechanismus beschädigt werden kann. Kommt es dadurch zur Beschädigung des Abzugsmechanismus, ist es nicht möglich, diesen beim zertifizierten Waffenmeister reparieren zu lassen.

Es ist außer der beschriebenen Art und Weise möglich, die Pistole mit Patrone in Kammer in den sicheren Zustand zu bringen, in dem sie zum sofortigen Schießen bereit ist:

Laden Sie die Pistole, fassen Sie sie am Pistolengriff an, ZIELEN SIE IN EINEN SICHEREN RAUM, drücken Sie mit dem Daumen auf die gerillte Fläche (Daumenrillen) des Abzugs, drücken Sie den Abzug und verlagern Sie den Abzug langsam nach vorne (Abb. 6), bis er sich am Verschluss oder an der Sicherheitsnase am Abzug abstützt. Lösen Sie den Abzug. Führen Sie diese Handlung sehr vorsichtig durch, damit es zum ungewollten Schuss nicht kommt! Üben Sie den ganzen Vorgang zuallererst gründlich ohne Patronen ein!

In diesem Zustand ist die Pistole für gewöhnliche Handhabung sicher und dabei zur sofortigen Benutzung bereit.

Merken Sie sich, dass die sicherste Absicherung der Pistole ihr Entladen und ihre Aufbewahrung auf einem sicheren Ort ist!

## **Einstellen der Visierungen**

Die Pistole wurde im Herstellerbetrieb auf eine Entfernung von 25 m so eingeschossen, dass der mittlere Treffpunkt ungefähr mit dem Visierpunkt übereinstimmt.

Man kann die seitliche Korrektur durch Verschieben des Visiers in der Schwalbenschwanznut durchführen. Es ist vor ihrer Durchführung erforderlich, die das Visier gegen Herausfallen sichernde Schraube zu lösen. Es ist nach der Einstellung erforderlich, die Schraube zurück einzuschrauben und mittels der Applikation von Loctite 243 zu sichern. Die Korrektur der Höhe erfolgt durch Drehen der Schraube.

Man kann im Bedarfsfall das Visier durch ein anderes, geeignetes Visier ersetzen, eventuell auch das Korn austauschen, das mit einem Spannstift gesichert ist. Vertrauen Sie diese Anpassungen einer Fachwerkstatt an.

## **Einstellen des Magazinsperrstücks**

Der Stellknopf des Magazinsperrstücks kann in drei Positionen eingestellt werden. Nach Auswahl der Knopfposition des Magazinsperrstücks zur Sicherung der ausreichenden Schraubenfixierung Loctite 243 zur Sicherung des Gewindes mittlerer Festigkeit benutzen.

**PFLEGEANWEISUNGEN****Zerlegen zur Reinigung**

ZIELEN SIE IN EINE SICHERE RICHTUNG!

1. Nehmen Sie das Magazin heraus. Die Pistole mit eingeschobenem Magazin ist nicht zerlegbar!
2. Entsichern Sie die Sicherung, um den Verschluss bewegen zu können.
3. **ÜBERZEUGEN SIE SICH DAVON, DASS SICH IN DER PATRONENKAMMER KEINE PATRONE BEFINDET!**
4. Schwenken Sie den Abzug mäßig nach hinten aus und lösen Sie ihn, sodass er an der Sicherheitsnase festgehalten bleibt. In diesem Zustand wird die weitere Handhabung am einfachsten.
5. Stecken Sie den Daumen der linken Hand durch den Abzugsbügel hindurch, fassen Sie mit den restlichen Fingern von oben den vorderen Teil des Verschlusses an (Abb. 7). Verschieben Sie den Verschluss ein wenig nach hinten, bis sich die Striche im hinteren Teil des Rahmes und des Verschlusses abgleichen.
6. **HALTEN SIE DIE STRICHE ABGEGLICHEN** und drücken (klopfen) Sie rechterseits auf den Verschlussfang (den linken), z.B. mit dem Magazinboden (Abb. 8). Nehmen Sie den Verschlussfang linkerseits heraus.
7. Schieben Sie den Verschluss mit dem Lauf nach vorne heraus.
8. Nehmen Sie die Rückzugfeder mit der Führung und zum Schluss den Lauf heraus.  
Bei der Ausführung CZ Shadow 2 Orange mit herausnehmbarer Laufführung (Bushing) den Stopfen der Rückzugfeder lösen und die Laufführung im Uhrzeigersinn um 40° drehen und aus dem Verschluss ziehen (für das Drehen der Laufführung im Verschluss den beigelegten Schlüssel benutzen). Den Stopfen der Rückzugfeder herausnehmen.
9. Den Lauf aus dem Verschluss nehmen.

Das bis dahin durchgeführte Zerlegen genügt für gewöhnliche Wartung. Demontieren Sie nach Abfeuern einer großen Anzahl von Patronen ebenfalls den Schlagstift und das Magazin.

## Demontage des Schlagstiftes

Drücken Sie mit einem geeigneten Gegenstand das Ende des Schlagstiftes unter die Ebene der Platte des Schlagstiftes hinein und schieben Sie die Platte etwa um 2 mm nach unten. Halten Sie danach über der Platte des Schlagstiftes den Daumen, damit der Schlagstift aus dem Verschluss nicht herausgeschleudert werden kann und schieben Sie mit der zweiten Hand die Platte des Schlagstiftes vollständig aus dem Verschluss heraus. Seien Sie bei dieser Demontage sehr vorsichtig, denn der Schlagstift nach dem Herausschleudern verloren gehen oder eine Verletzung verursachen kann.

## Demontage des Magazins

Verschieben Sie die Bodenklinke des Magazins in Demontageposition (Abb. 9) oder, bei anderer Konstruktionslösung, drücken Sie durch die Öffnung im Magazinboden auf die Bodenklinke und schieben Sie den Magazinboden etwa um 5 mm nach vorne. Legen Sie danach den Daumen über den Boden so, damit Sie mit ihm die Feder halten und schieben Sie mit der zweiten Hand den Boden aus den Führungsnuten heraus. Seien Sie bei dieser Demontage sehr vorsichtig, damit es durch herauschleudernde Feder nicht zur Verletzung kommt.

### HINWEIS:

Demontieren Sie keine weiteren Pistolenteile. Wenn Sie der Meinung sind, die Pistole erfordert Einstellung oder Reparatur, vertrauen Sie sie einer Fachwerkstatt an!

## Reinigen der Pistole

Reinigen Sie die Pistole

- nach jedem Gebrauch
- immer wenn sie feucht wird
- möglichst bald nach dem Schießen
- unter milden klimatischen Bedingungen mindestens einmal pro Jahr
- unter rauen klimatischen Bedingungen mindestens einmal pro Monat

## Reinigung der Laufbohrung und der Patronenkammer

Wenn aus der Pistole nicht geschossen wurde oder nur wenige Patronen abgefeuert wurden, wischen Sie Laufbohrung und Patronenkammer mit einem trockenen, am Putzstock befestigten Läppchen aus. Die Läppchen sind so lange zu wechseln, bis das letzte Stück sauber ist.

Falls die Bohrung stark verschmutzt ist, tragen Sie mit der Bürste in sie und in die Kammer eine Reinigungslösung auf und lassen Sie diese ca. 10 Minuten einwirken (die Einwirkungszeit kann sich bei Verwendung verschiedener Reinigungsmittel unterscheiden) und reinigen Sie dann diese mit einer Bürste. Trocknen Sie die Bohrung und Kammer mit

sauberm Lappen aus und kontrollieren Sie, ob alle Verbrennungsrückstände beseitigt wurden. Im Bedarfsfall ist das Vorgehen zu wiederholen.

Schieben Sie den Putzstock sowie die Bürste in den Lauf von der Kammer herein, um die Laufmündung nicht zu beschädigen. Drücken Sie die Bürste durch den gesamten Lauf durch, bevor Sie die Bewegungsrichtung ändern. Falls Sie die Bewegungsrichtung mit der Bürste im Lauf wechseln würden, könnte sich die Bürste im Lauf verklemmen.

## **Reinigung der anderen Pistolenteile**

Reinigen Sie die anderen Teile der Pistole (einschließlich der Außenflächen des Laufs) mit einem trockenem Lappen, einer alten Zahnbürste, einer Messingbürste oder einem Holzschaber. Bei der Reinigung können Sie auch Konservierungsöl oder Petroleum benutzen. Benutzen Sie jedoch niemals die für die Reinigung der Laufbohrung bestimmte Lösung! Diese könnte in den Fugen zwischen den Bestandteilen zurückbleiben und nach längerer Zeit Korrosion verursachen.

Überzeugen Sie sich davon, dass keine Reste vom Läppchen oder Bürsteborsten in einem Pistolenteil hängengeblieben sind.

## **Konservierung**

Wenn Laufbohrung, Patronenkammer und alle zugänglichen Bestandteile sauber und trocken sind, bestreichen Sie diese Teile mit einem in Konservierungsöl getränkten Lappen oder benutzen Sie Ölspray. Wischen Sie die Ölreste ab.

Bei der Ausführung CZ Shadow 2 Orange auch das Laufvorderteil und den Innendurchmesser der Laufführung konservieren.

Wischen Sie die Bohrung vor dem Schießen trocken aus. Falls Sie die Pistole bei niedrigen Temperaturen benutzen, entfernen Sie das Öl von allen zugänglichen Teilen, oder verwenden Sie speziell für diese Bedingungen bestimmtes Schmiermittel.

Verwenden Sie Konservierungsvaseline nur für langzeitige Lagerung in anspruchsvollen klimatischen Bedingungen und entfernen Sie diese gründlich vor der Benutzung der Pistole.

## **Abfallentsorgung**

Produkt- und Verpackungsmaterialien haben bei richtiger Benutzung keine negativen Auswirkungen auf die Gesundheit des Menschen oder auf die Umwelt. Im Bedarfsfall der Entsorgung des Produktes oder dessen Verpackung gilt, dass Metallbestandteile (Stahl und Buntmetalle), Kunststoffe, Holz, Papier und Karton getrennt in den dafür bestimmten Sammelbehälter zu sammeln sind.

Der Hersteller behält sich das Recht vor, Änderungen vorzunehmen, die er für unerlässlich zur Verbesserung seiner Modelle hält, oder um fertigungstechnischen oder geschäftlichen Anforderungen nachzukommen.

## VERZEICHNIS DER BESTANDTEILE

1 Rahmen *	33 Feder des Magazinfangs
2 Verschlussfang *	34 Feder der Abzugsstange
3 Feder des Verschlussfangs	35 Federschraube des Magazinfangs
4 Stift der Verschlussfangfeder	36 Magazin *
5 Abzug *	37 Zünder *
6 Abzugsbolzen	38 Feder des Zünders
7 Abzugsstange	39 Schlagbolzenplatte
8 Abzugsfeder	40 Puffer *
9 Bolzen (3x)	41 Rückzugfeder *
10 Auswerfer	42 Führung der Rückzugfeder *
11 Fangklinke des Abzugs	43 Lauf *
12 Feder der Fangklinke des Abzugs	44 Verschluss *
13 Bolzen der Fangklinke des Abzugs	45 Korn
14 Sicherung rechts *	46 Kornhaltestift
15 Sicherungssperre rechts *	47 -
16 Hahn *	48 -
17 Unterbrecher *	49 -
18 Hahnbolzen	50 Auszieher *
19 Sicherungsstift des Hahnbolzens	51 Auszieherbolzen
20 Schlagfederstange *	52 Auszieherfeder
21 Schlagfeder	53 Visier *
22 Schlagfederstopfen *	54 Feststellschraube (2x) *
23 Stift des Schlagfederstopfens	55 Abzugsschraube *
24 Magazinführung *	56 Fächerscheibe (2x) *
25 Stift der Magazinführung	57 Abdeckung *
26 Griffschale links *	58 Schraube der Abdeckung (2x) *
27 Griffschale rechts *	59 Kollimatorplatte *
28 Griffschalenschraube (2x) *	60 Schraube der Kollimatorplatte (2x) *
29 Sicherung links *	61 Laufführung *
30 Sicherungssperre links	62 Stopfen der Rückzugfeder *
31 Feder der Sicherungsklemme *	
32 Magazinfang	

**Anmerkung:**

\* Die so gekennzeichneten Bestandteile sind bei den einzelnen Ausführungen verschieden, beziehungsweise sie fehlen bei einigen Ausführungen ganz.

## BEHEBUNG VON FUNKTIONSSTÖRUNGEN

Bei einer richtigen Handhabung und Instandhaltung ist die Wahrscheinlichkeit einer Störungsentstehung minimal. Sollte trotzdem diese Situation eintreten, so richten Sie sich nach folgenden Anweisungen.

**ACHTUNG** - Falls es beim Schießen zu einer Funktionsstörung kommt, so erhöht sich die Wahrscheinlichkeit eines unbeabsichtigten Schusses außerordentlich. Halten Sie daher beim Beheben der Störung konsequent die oben angeführten Sicherheitsanweisungen ein. Zielen Sie ständig in eine sichere Richtung, richten Sie die Pistole nie gegen sich oder gegen andere Personen, halten Sie Ihre Hände nicht vor der Laufmündung!

Störung	Wahrscheinliche Ursache	Behebung
Die Patrone wird nicht in die Kammer zugeführt oder der Verschluss schließt nicht ab.	Das Magazin ist nicht vollständig eingeschoben oder ist beschädigt. Die Waffe oder die Patronen sind verunreinigt oder zu stark gefettet.	Schieben Sie das Magazin ordnungsgemäß ein oder verwenden Sie ein anderes. Reinigen Sie die Pistole und die Patronen, bis sie trocken sind, fetten Sie sie gegebenenfalls leicht ein.
Zündversager	Die verwendete Patrone ist defekt.  Verunreinigte Öffnung für den Zünder oder ungeeignetes Schmiermittel bei niedriger Umgebungstemperatur.	Drücken Sie nochmals den Abzug. Falls es zum Schuss nicht kommt, gehen Sie nach Punkt 19 der Sicherheitshinweise vor.  Bauen Sie den Zünder aus und reinigen Sie ihn, verwenden Sie gegebenenfalls ein Schmiermittel für niedrige Temperaturen.
"Schwacher Schuss" verbunden mit Nichtauswerfen der Patronenhülse.	Das Zündhütchen wurde aktiviert, aber in der Patronenhülse war kein Pulver.	Entladen Sie die Pistole und überzeugen Sie sich, ob das Geschöß nicht im Lauf steckengeblieben ist. Ein eventueller weiterer Schuss könnte den Lauf ernsthaft beschädigen!
Kein Auswerfen	Verunreinigte Patronenkammer, Auszieher oder Munition, gegebenenfalls Anwendung eines ungeeigneten Schmiermittels bei niedriger Umgebungstemperatur.	Reinigen Sie die Pistole, bis sie trocken ist, fetten Sie sie gegebenenfalls leicht mit geeignetem Schmiermittel ein. Verwenden Sie neue saubere Munition.

Falls die Störung auf keine oben angegebene Art und Weise behoben werden kann, so vertrauen Sie die Pistole zur Durchsicht und Reparatur einer Fachwerkstatt an.



## VERZEICHNIS DER ABBILDUNGEN

1. Fachausdrücke der Hauptteile
2. Herausnehmen des Magazins
3. Laden der Pistole
4. Entspannen des Verschlusses aus der "Schießbereitschaft" durch Drücken des Verschlussfanges
5. Verschiebung der Sicherung in gesicherte Position
6. Entspannen des Abzugs in Ruheposition
7. Einstellen des Verschlusses in die Demontageposition
8. Herausnahme des Verschlussfanges unter Ausnutzung des Magazinbodens
9. Demontage des Magazins

## CZ ADAPTER KADET KALIBER .22 LR

Der Adapter Kadet in Kaliber .22 LR für die Pistole CZ Shadow 2 und CZ 75 SP-01 Shadow kann in folgenden Varianten geliefert werden:

1. Selbstständiger Adapter, der am Rahmen einer beliebigen Pistole CZ SHADOW 2 oder CZ 75 SP-01 Shadow angebaut werden kann
2. Komplettpistole CZ Shadow 2 oder CZ 75 SP-01 Shadow in Kaliber .22 LR

Zu den Hauptvorteilen des Adapters zählen:

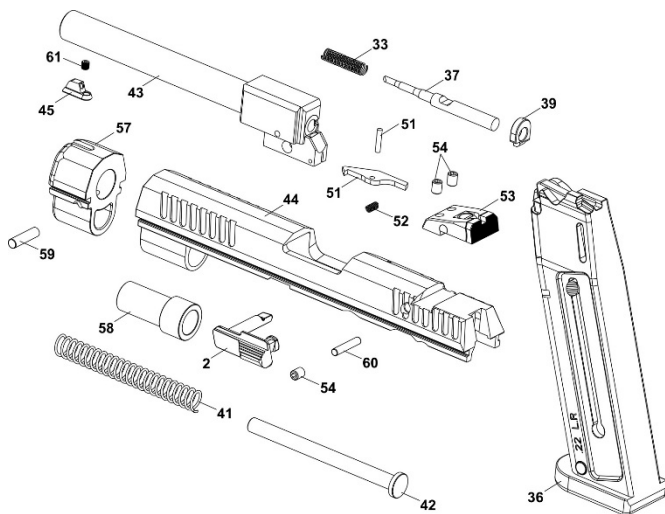
- Beibehalten der typischen Eigenschaften der Pistole CZ Shadow
- Preisgünstiges Schießen, vorteilhaft speziell für Übungsschießen
- Einfache Montage des Adapters am Rahmen, ohne Einpassen

### Anbau des KK-Adapters

Zum Einsatz des Adapters im Kaliber .22 LR an der bestehenden Ausführung der Pistole sind keine Nacharbeiten oder Einpassen notwendig. Gemäß der im Kapitel *Zerlegen und Reinigen* beschriebenen Hinweise wird die komplette Baugruppe des Verschlusses abgezogen und auf den Rahmen der Pistole wird der Adapter im Kaliber .22 LR angebaut. Zusammen mit dem Adapter sind immer der mitgelieferte Verschlussfang mit der Kennzeichnung "22 LR" und das Magazin Kaliber .22 LR zu verwenden.

Der Waffe sind zwei farblich differenzierte Rückholfedern beigelegt. Die blau markierte ist für schwächere Munitionslaborierungen .22LR (z.B. Unterschallmunition) geeignet. Die rot markierte ist dann für stärkere Munition (z.B. die High Velocity Ausführung) geeignet.

## Darstellung und Komponentenliste des KK-Adapters



- |    |                    |    |                     |
|----|--------------------|----|---------------------|
| 2  | Verschlussfang     | 50 | Auszieher           |
| 36 | Magazin            | 51 | Auszieherbolzen     |
| 37 | Schlagbolzen       | 52 | Auszieherfeder      |
| 38 | Schlagbolzenfeder  | 53 | Visier              |
| 39 | Schlagbolzenplatte | 54 | Fixierschraube (3x) |
| 41 | Vorholfeder        | 57 | Aufsatz             |
| 42 | Vorholfederführung | 58 | Gehäuse             |
| 43 | Lauf               | 59 | Aufsatzstift        |
| 44 | Verschluss         | 60 | Schlagbolzenstift   |
| 45 | Korn               | 61 | Kornschraube        |

**Avant de commencer toute manipulation avec votre pistolet, veuillez prendre connaissance du présent mode d'emploi et surtout des consignes de sécurité.**

Toute manipulation imprudente ou incorrecte du pistolet peut provoquer un tir involontaire, ayant pour conséquence possible des blessures, la mort ou des dégâts matériels. Des modifications non autorisées, de la corrosion ou l'emploi de munitions non prescrites ou endommagées peuvent avoir les mêmes conséquences. Dans de tels cas, le fabricant ne pourra pas être porté responsable des dommages survenus. Avant d'être expédié dans le réseau de vente, ce pistolet a été testé, examiné avec précautions et emballé. La société CZ ne peut toutefois pas contrôler les manipulations survenues après que le pistolet a quitté l'usine. C'est pour cette raison que nous vous recommandons de contrôler votre pistolet lors de l'achat et ce, pour voir s'il n'est pas chargé ou endommagé. La présente brochure doit toujours accompagner le pistolet, même si vous le prêtez à une tierce personne ou si vous le revendez.

## TABLE DES MATIÈRES

CONSIGNES DE SÉCURITÉ	67
TERMINOLOGIE ET DESCRIPTION DU PISTOLET	70
INSTRUCTIONS D'UTILISATION	73
Munitions	73
Extraction du chargeur	73
Remplissage du chargeur	73
Chargement du pistolet	73
Rechargement au cours de tir	74
Déchargement du pistolet	74
Verrouillage du pistolet	74
Réglage des organes de visée	75
Réglage de l'arrêteur du chargeur	75
INSTRUCTIONS D'ENTRETIEN	75
Démontage pour le nettoyage	75
Démontage du percuteur	76
Démontage du chargeur	76
Nettoyage du pistolet	76
Nettoyage du canon et de la chambre	76
Nettoyage des autres parties du pistolet	77
Conservation	77
Traitement des déchets	77
LISTE DES PIÈCES	78
DÉFAUTS	79
LISTE DES FIGURES	80
ADAPTATEUR CZ KADET DE CALIBRE .22 LR	80

## CONSIGNES DE SÉCURITÉ

Respecter en tout temps les consignes de sécurité suivantes, pour votre propre sécurité et pour la sécurité des autres personnes.

1. Toujours manipuler le pistolet comme s'il était chargé.
2. Ne pointer votre pistolet, chargé ou déchargé, que vers la cible désignée.
3. Ne jamais croire personne déclarant que le pistolet n'est pas chargé.
4. Avant de ranger le pistolet ou de le remettre à une autre personne, toujours s'assurer que le pistolet n'est pas chargé.
5. Conserver le pistolet déchargé et le chien en position avant.
6. Ne jamais utiliser le pistolet pour des agissements autres que le tir.
7. Ne jamais laisser un pistolet chargé sans surveillance.
8. Avant de charger le pistolet, s'assurer que l'intérieur du canon, la chambre et la culasse sont propres et libres. Nettoyer le pistolet le plus tôt possible après le tir.
9. Ne jamais tirer avec l'arme si vous n'êtes pas certains des munitions que vous utilisez. Ne jamais utiliser de munitions qui ne seraient pas identifiées, qui auraient été manuellement chargées et dont vous ne connaissez pas l'origine. Ne pas utiliser de munitions lorsque les cartouches sont fissurées, déformées ou écrasées, ni de munitions montrant des traces de détérioration. La recharge est une opération spécialisée, devant être réalisée par un spécialiste et toute cartouche ayant été incorrectement (mal) rechargée peut devenir extrêmement dangereuse. Leur utilisation peut être synonyme de détérioration/destruction de votre arme et de blessures graves, voire même mortelles. Utiliser uniquement des munitions propres, sèches et d'origine, fabriquées en usine et de calibre correspondant à votre pistolet.
10. Avant et pendant le tir, ne jamais consommer des boissons alcooliques ou des drogues.
11. Lors du tir, si les conditions le permettent, utiliser une protection de l'ouïe et des lunettes de tir.
12. Lorsque le pistolet est chargé, laisser la sûreté engagée jusqu'à ce que vous soyez prêt à tirer. Lors du déverrouillage de la sûreté, tenir le pistolet orienté vers un lieu sûr.
13. Ne jamais bloquer la fenêtre d'éjection et contrôler que personne ne se trouve dans la direction de la douille éjectée.
14. Ne jamais mettre le doigt sur la détente ou dans le pontet si vous ne visez pas la cible ou si vous n'êtes pas prêt à tirer.
15. Avant d'appuyer sur la détente, contrôler encore une fois la cible et l'espace situé derrière la cible. La balle peut en effet traverser la cible ou la manquer et porter à plusieurs centaines de mètres.
16. Ne jamais tirer sur la surface de l'eau ni sur une surface dure, par exemple de la pierre.
17. Ne jamais utiliser le pistolet à proximité d'animaux qui ne sont pas habitués à ce bruit.
18. Ne jamais se permettre de faire des « blagues » en tenant le pistolet en mains.

19. Raté lors du tir : Lors d'un raté, attendre 30 secondes en dirigeant le pistolet en direction de la cible ou vers un lieu sûr. Si l'amorçage est retardé, la cartouche doit tirer dans les trente secondes. Si le tir n'a pas lieu, enlever la cartouche du canon et contrôler l'amorce. Si la trace du percuteur est faible, pas centrée ou absente, remettre le pistolet à un armurier qualifié pour qu'il le contrôle et ce, avant de procéder au prochain tir.
20. Avant de nettoyer, de ranger ou de transporter le pistolet, toujours s'assurer qu'il n'est ni chargé, ni armé. Retirer de l'arme toutes les cartouches n'ayant pas été tirées et les ranger ensuite conformément à la législation en vigueur.
21. Ranger le pistolet et les munitions dans un lieu séparé, fermé à clef et hors de portée des enfants et des personnes non autorisées. Toujours protéger les munitions contre les sources de chaleur et les flammes vives.
22. Ne jamais modifier aucune pièce du pistolet. Ceci pourrait en effet influencer son bon fonctionnement ou sa sécurité.
23. Toujours avoir en mémoire que la corrosion, l'utilisation de munitions endommagées, la chute du pistolet sur une surface dure ou toute autre manipulation rude peut être à l'origine d'endommagements qui ne sont pas forcément visibles à première vue. Si une telle situation devait apparaître, faire contrôler le pistolet par un spécialiste.

## REGLES DE LA MANIPULATION SURE D'ORGANES DE VISEE DE TRITIUM



Les organes de visée au tritium pour pistolets CZ comportent un kit avec un guidon lumineux (radiateur au tritium ayant une activité de 0,565 GBq) et des organes de visée atière lumineuse - une hausse (2 radiateurs au tritium ayant une activité de 0,444 GBq) qui est installé sur l'arme au moyen des queues d'aronde précises. Le tritium à l'état gazeux (99 % HT et 1 % HTO) est enfermé dans les ampoules en palstique contenant un luminophre et ces ampoules sont collées dans le fourreau métallique des organes de visée de façon que la manipulation et le stockage des organes de visée ne soient liés à aucun risques. Les organes de visée sont identifiés par la marque H3 (tritium radioactif).

La troisième génération d'organes de visée conserve tous les attributs avantageux de la génération précédente et plusieurs améliorations lui ont été ajoutées :

- amortisseur de chocs intégré ;
- douille protectrice solide fournissant moins de sensibilité contre la manipulation rude
- fenêtre fixe pour une meilleure sortie lumineuse, avec protection complémentaire contre les dommages ;
- résistance à une plus longue immersion dans des dissolvants et produits de nettoyage couramment utilisés ;
- luminosité d'exploitation garantie durant une période de 12 ans ;
- le moule d'étanchéité protège les organes de visée contre les dommages accidentels, empêche la manipulation non-désirée de la source lumineuse, empêche la saleté de pénétrer dans le système de visée et dans la couverture de la lumière ;

- garantit une transition plus fine entre les conditions de visée de jour et de nuit ;
- installation simple (aucune modification de l'arme n'est nécessaire) ;
- n'augmente pas le poids ni la taille ;
- aucun entretien ;
- aucune batterie requise (aucunes pertes d'énergie par temps froid).

### **Consignes de sécurité en cas de dommages des organes de visée**

En conditions régulières du stockage, de l'utilisation et de l'entretien des organes de visée il n'y a aucun risque à l'utilisateur provoqué par radiation ionisante émise, parce qu'elle ne pénètre pas les capsules métalliques, dans lesquels les ampoules avec les radiateurs sont fixées. En cas de l'endommagement accidentel presque irréal de toutes les ampoules dans un ensemble au moment, quand l'arme est en position de tir (position de la hausse plus près du tireur), la dose efficace simple de radiation ne dépasserait pas la valeur de 0,26 mSv. Qu'est-ce que présent cette valeur? Par exemple:

- 1/12 de la dose qui est reçue par un habitant ordinaire dans le cours d'une année due au fond radioactif normal (3,5 mSv / année)
- moins que 1/4 de la limite générale de la dose effective à un habitant ordinaire

### **Premiers secours recommandés après l'inspiration du tritium gazeux**


L'état gazeux de tritium est pratiquement inactif et cause une légère contamination interne. En cas de son inspiration on recommande d'augmenter la prise des liquides et de prendre éventuellement un certain diurétique (bière avec le bas taux d'alcool) pour l'accélération de l'échange de l'eau en corps.

### **LES OBLIGATIONS DU PROPRIETAIRE DES ORGANES DE VISEE DU TRITIUM**

1. Les organes de visée sont un radiateur radioactif dans la période de 6,5 ans après leur achat selon la législation de la République Tchèque.
2. Lors de l'achat, le propriétaire du dispositif obtient un guide avec des règles de la manipulation sûre et un document sur l'étanchéité des radiateurs radionuclidiques dans l'ensemble (certificat du radiateur radionuclidique capsulé), qui doit être préservé et présenté sur demande de l'autorité compétente.
3. En manipulant un type du produit approuvé, qui est la source de radiation ionisante, il est nécessaire de respecter des règlements nationaux pour la protection contre la radiation ionisante (la législation nationale appropriée).
4. En cas de propriété de plus que 9 ensembles des organes de visée (l'activité totale excédant 10 GBq), le propriétaire est obligé de consulter les devoirs résultants de la législation nationale appropriée chez l'autorité compétente.
5. Eviter une telle manipulation, quand des endommagements mécaniques rudes des organes de visée peuvent se produire.

6. Il est interdit d'effectuer tout changement des organes, concernant leurs propriétés importantes pour la protection contre la radiation.
7. En cas de destruction ou de dommages, les organes de visée ne doivent pas être employés de plus. Le propriétaire doit mettre en sûreté le dispositif changé d'une telle manière et de le passer au distributeur ou au fabricant pour la liquidation sûre. Le même procédé s'applique pour la liquidation des organes de visée inutilisés de plus.
8. La manipulation avec des organes de visée est régie par des principes généraux de la protection contre la radiation ionisante. Lors de l'utilisation courante il n'y a aucun essai d'étanchéité demandé pendant la durée de vie des organes de visée.

Les types d'organes de visée ont été approuvés par décision de l'autorité compétente (Státní úřad pro jadernou bezpečnost – Office national pour la sécurité nucléaire) n° SÚJB/RCAB/9960/2014.

20.4.2014  
Státní úřad pro jadernou bezpečnost  
Regionální centrum Praha  
Bartošková 28  
140 00 Praha 4


## TERMINOLOGIE ET DESCRIPTION DU PISTOLET

Les appellations des parties essentielles du pistolet sont reprises sur la figure 1 située sur la face intérieure de la couverture. La liste des pièces est reprise intégralement au le chapitre « *Liste des pièces* ».

Les pistolets de la gamme CZ Shadow sont des armes de poing semi-automatiques munies d'un système de culasse verrouillé. Ces armes sont destinées au tir sportif jusqu'à une distance de 50 mètres. Elles sont équipées d'un mécanisme de détente à double action SA/DA, d'une encoche de sécurité sur le chien et d'une sûreté manuelle bilatérale. Parmi les propriétés caractéristiques de ces pistolets, citons :

- mécanisme de détente à double action SA/DA ;
- chargeur à grande capacité, deux colonnes de cartouches ;
- bonne tenue dans chaque main ;
- bons résultats au tir instinctif (sans viser) ;
- faible résistance de la détente ;
- l'enfoncement de la détente est réglé à l'aide d'une vis de limitation (réglé en usine) ;
- haute précision de tir ;
- longue durée de vie ;
- une fiabilité élevée, même lors de l'utilisation de différents types de munitions ;
- après le tir de la dernière cartouche, la culasse reste ouverte ;
- convient au tir "Combat" ;
- les organes de visée sont équipés d'un guidon conducteur de lumière et d'une hausse réglable en hauteur - sur commande, il est possible d'installer des organes de visée des organes de visée micrométriques ;
- dans sa partie avant, la carcasse est munie de rainures (MIL-STD-1913) permettant d'y fixer des accessoires spéciaux

Les pistolets CZ SHADOW Optics Ready sont des armes qui ont été modifiées en usine afin qu'il soit possible d'y installer facilement des collimateurs compacts et modernes issus d'une large palette de marques renommées (comme par exemple Trijicon, Vortex, Meopta, Leupold). Grâce à ces modifications, le montage sera également très stable. Parmi les principaux avantages des pistolets CZ Optics Ready, nous pouvons citer:

- l'extraordinaire robustesse, solidité et résistance du montage
- une hauteur de construction basse
- la simplicité du réglage du collimateur et ce, même pour un tir à longue distance
- la compatibilité avec un grand nombre de collimateurs chevrons (le dispositif optique ne fait pas partie des fournitures)
- un design assorti à la forme des pistolets CZ d'origine



Modèle	Fonction	Sûreté	Encoche de sûreté
CZ Shadow 2	SA/DA	oui	oui
CZ Shadow 2 Orange	SA/DA	oui	oui
CZ Shadow 2 OR	SA/DA	oui	oui
CZ Shadow 2 SA	SA	oui	oui
CZ 75 SP-01 Shadow	SA/DA	oui	oui

Explications:

*SA (Single Action)*

Mécanisme de détente à action simple. Le chien doit être armé avec le pouce ; le coup part lorsqu'on appuie sur la détente. La course de la détente est courte, avec une faible résistance. Le chien se réarme après chaque tir.

*DA (Double Action)*

Mécanisme de détente à double action. Lorsqu'on appuie sur la détente, le chien est poussé vers l'arrière et il frappe le percuteur lorsqu'il est relâché. La course de la détente est plus longue et la résistance est plus élevée que pour le type SA.

*Encoche de sûreté sur le chien*

Il s'agit d'une rainure située sur le chien. Cette rainure empêche tout tir involontaire au cas où le chien glisserait lors de son armement manuel. Lorsque le chien se trouve dans cette encoche, il ne touche pas la culasse, mais il est positionné quelque peu en arrière.

## INSTRUCTIONS D'UTILISATION

### Munitions

Toujours utiliser des munitions dont la production est autorisée, qui satisfont aux normes en vigueur en termes de munitions et qui ont été approuvées par l'organisation CIP (Commission internationale permanente pour les épreuves d'armes et munitions) ou SAAMI (Standard américaine pour les armes et munitions). L'utilisation d'autres munitions peut être source de dommages à l'arme ou de blessures pour le tireur. Si vous utilisez des munitions d'usine ayant une vitesse standard, l'utilisation des armes de la société Česká zbrojovka a.s. est sûre. Toujours vérifier les munitions que vous envisagez d'utiliser, ceci afin d'être certains qu'elles correspondent au calibre de votre arme. Sur toutes les cartouches fabriquées dans un but commercial, le calibre sera clairement indiqué sur le fond de la cartouche, éventuellement autour du fond de la cartouche.

### Extraction du chargeur

Saisir le pistolet de la main droite (gauche) et, avec le pouce (le majeur), appuyer sur l'arrêteur du chargeur (figure 2). Le chargeur se libère et tombe hors de la carcasse. Le pistolet est équipé d'un arrêteur de chargeur universel. Cet arrêteur peut être remplacé par un armurier afin que vous puissiez manier l'arme de la main droite ou de la main gauche.

### Remplissage du chargeur

Prendre le chargeur en mains, sortie vers le haut. Placer une cartouche sur la partie avant de l'élévateur et appuyer sur la cartouche vers le bas puis vers l'arrière jusqu'à ce qu'elle soit en contact avec la face arrière du chargeur. Poser la cartouche suivante sur la précédente et l'introduire d'une manière analogue. Lorsque le chargeur est presque plein, il est recommandé d'appuyer sur la colonne des cartouches déjà placées avec le pouce de la main qui tient le chargeur.

Le nombre de cartouches dans le chargeur peut être contrôlé au moyen des orifices se trouvant dans les parois latérales du chargeur. Ne jamais essayer de dépasser la capacité du chargeur - cela pourrait entraîner une mauvaise élévation de la première cartouche vers la chambre.

### Chargement du pistolet

LORS DE L'OPÉRATION DE CHARGEMENT, TOUJOURS VEILLER À DIRIGER LE PISTOLET VERS UN ENDROIT OÙ RIEN NI PERSONNE N'EST MIS EN DANGER !

Insérer le chargeur plein dans le pistolet et vérifier qu'il a bien été verrouillé par l'arrêteur du chargeur.

Saisir le pistolet d'une main et, à l'aide du pouce et de l'index de l'autre main, tenir fermement la partie rainurée de la culasse. Tirer la culasse vers l'arrière jusqu'à ce qu'elle se trouve en butée et la relâcher (figure 3). Le chien est armé et une cartouche monte dans la chambre. Le pistolet est ainsi prêt à tirer. Si vous ne comptez pas tirer dans les moments qui suivent, verrouiller le pistolet en suivant les consignes indiquées dans la partie « *Verrouillage du pistolet* ».

### Rechargement au cours de tir

Une fois que vous avez tiré la dernière cartouche, la culasse reste en position arrière. Retirer le chargeur vide et le remplacer par un plein. Avec la main qui tient le pistolet, appuyer sur l'arrêtoir de la culasse (figure 4) pour le faire descendre ou, de l'autre main, tirer la culasse vers l'arrière et la relâcher (figure 3). Le pistolet est ainsi rechargé et à nouveau prêt à tirer.

### Déchargement du pistolet

**LORS DE L'OPÉRATION DE DÉCHARGEMENT, TOUJOURS VEILLER À DIRIGER LE PISTOLET VERS UN ENDROIT OÙ RIEN NI PERSONNE N'EST MIS EN DANGER !**

- retirer le chargeur ;
- tirer la culasse vers l'arrière et s'assurer que la cartouche a été extraite de la chambre et éjectée ;
- relâcher la culasse ;
- appuyer sur la détente (coup de sécurité).

### Verrouillage du pistolet

Déplacer la sûreté vers le haut pour la placer dans sa position bloquée (figure 5) et ce, jusqu'à ce que la marque rouge soit cachée. Ceci bloque le mécanisme de détente et la culasse, il n'est donc plus possible de manipuler ni la détente, ni la culasse.

Compte tenu des modifications spécifiques apportées au mécanisme de la détente, il est possible de faire pivoter la sûreté en position **VERROUILLÉ** même lorsque le chien se trouve dans l'encoche de sécurité. Dans de tels cas, il est cependant impérativement déconseillé de verrouiller le pistolet car en cas d'armement violent du chien ou d'appui de la détente, il est possible que le mécanisme de la détente soit endommagé. Si le mécanisme de la détente est ainsi endommagé, faites le réparer par un armurier certifié.

Outre ce procédé, il est possible de verrouiller le pistolet avec une cartouche dans la chambre, ceci pour qu'il soit prêt pour un tir immédiat:

Charger le pistolet et le tenir par la poignée, **TOUJOURS VEILLER À DIRIGER LE PISTOLET VERS UN ENDROIT OÙ RIEN NI PERSONNE N'EST MIS EN DANGER**. Avec le pouce, appuyer sur la surface moletée du chien (éperon), appuyer sur la détente et ramener le chien lentement vers l'avant (figure 6), jusqu'à ce qu'il s'appuie sur la culasse ou sur l'encoche de sûreté du chien. Lâcher la détente. Cette opération doit être effectuée avec de grandes précautions pour ne pas provoquer un tir intempestif ! Nous vous recommandons de vous entraîner à réaliser cette procédure avec un pistolet ne contenant aucune cartouche !

Dans un tel état, le pistolet est verrouillé pour les manipulations courantes et pourtant, il est prêt pour un tir immédiat.

Il convient cependant d'avoir en mémoire que la meilleure sécurité du pistolet est de le décharger et de le placer dans un lieu sûr !

### **Réglage des organes de visée**

En usine, le pistolet a été réglé pour un tir à une distance de 25 m, de manière à ce que le point d'impact corresponde plus ou moins au point visé.

Il est possible de procéder à une correction latérale en déplaçant la hausse dans la rainure. Avant de réaliser cette opération, il est nécessaire de desserrer la vis qui maintient la hausse. Une fois que vous aurez réglé la hausse, il sera nécessaire de resserrer la vis et de bloquer la hausse en appliquant de la colle Loctite 243. La correction verticale se réalise par une rotation de la vis.

En cas de besoin, il est possible de remplacer la hausse par une autre hausse, de type approprié, éventuellement de remplacer également le guidon qui est maintenu en place par une cheville à ressort. Ces modifications doivent cependant toujours être confiées à un atelier spécialisé.

### **Réglage de l'arrêt de chargeur**

Le bouton de l'arrêt de chargeur peut être réglé dans trois positions différentes. Après avoir sélectionné la position du bouton de l'arrêt de chargeur, appliquer du frein filet Loctite 243 à moyenne résistance sur le filet de la petite vis afin de bien la fixer.

## **INSTRUCTIONS D'ENTRETIEN**

### **Démontage pour le nettoyage**

**TOUJOURS VEILLER À DIRIGER LE PISTOLET VERS UN ENDROIT OÙ RIEN NI PERSONNE N'EST MIS EN DANGER!**

1. Retirer le chargeur. Il est impossible de démonter un pistolet dont le chargeur serait engagé !
2. Débloquer la sûreté pour pouvoir manipuler la culasse.
3. **VÉRIFIER QUE LA CHAMBRE NE CONTIENT AUCUNE CARTOUCHE !**
4. Amener le chien légèrement vers l'arrière et le relâcher de façon à ce qu'il s'engage dans l'encoche de sécurité. C'est dans cet état que la suite des manipulations sera la plus facile.
5. Passer le pouce de la main gauche à travers le pontet et tenir, par le haut, la partie avant de la culasse (figure 7) avec les doigts restants. Déplacer ensuite la culasse vers l'arrière jusqu'à ce que les repères de la partie arrière de la carcasse et de la culasse soient alignés.
6. **MAINTENIR CES REPÈRES ALIGNÉS** et pousser (ou frapper), du côté droit, sur l'arrêt de culasse (gauche), par exemple avec le fond du chargeur (figure 8). Enlever l'arrêt de culasse par le côté gauche.
7. Sortir la culasse et le canon par l'avant.

8. Enlever le ressort récupérateur avec son guide.

Sur le modèle CZ Shadow 2 Orange où le guide du canon est amovible (bushing), il conviendra de desserrer le bouchon du ressort récupérateur, de faire pivoter le guide du canon de 40° dans le sens des aiguilles d'une montre et de le retirer ensuite de la culasse (pour faire pivoter le guide du canon dans la culasse, utiliser la clé de démontage fournie en accessoire). Retirer le bouchon du ressort récupérateur.

9. Retirer le canon de la culasse.

Ce démontage suffit pour un entretien courant. Après avoir tiré un grand nombre de cartouches, il est cependant recommandé de démonter également le percuteur et le chargeur.

### Démontage du percuteur

En vous aidant d'un objet approprié, enfoncer la fin du percuteur sous le niveau de sa plaque et appuyer cette plaque vers le bas sur environ 2 mm. Garder ensuite le pouce sur la plaque du percuteur pour qu'il ne puisse pas être éjecté de la culasse et, de l'autre main, enlever la plaque hors de la culasse. Ce démontage demande beaucoup de précautions car le percuteur pourrait être éjecté et perdu, ou encore blesser les personnes présentes.

### Démontage du chargeur

Déplacer la goupille du fond du chargeur à la position de démontage (figure 9) ou, dans le cas d'une autre conception technique, par l'orifice situé sur le fond du chargeur, appuyer sur l'arrêt du fond. Faire glisser le fond d'environ 5 mm vers l'avant. Garder un pouce sur le fond pour retenir le ressort et, de l'autre main, faire glisser le fond entièrement hors de la rainure. Lors de ce démontage, prendre les précautions nécessaires pour que le ressort ne « saute » pas.

### REMARQUE:

Ne démonter aucune autre pièce. Si vous pensez que votre pistolet a besoin d'être réglé ou d'être réparé, toujours le confier à un atelier spécialisé !

### Nettoyage du pistolet

Nettoyer le pistolet

- après chaque utilisation;
- chaque fois qu'elle a été exposée à l'humidité ;
- le plus tôt possible après le tir ;
- dans des conditions atmosphériques normales, au moins une fois par an ;
- dans des conditions atmosphériques sévères, au moins une fois par mois.

### Nettoyage du canon et de la chambre

Si vous n'avez pas utilisé votre pistolet ou si vous n'avez tiré que quelques cartouches, essuyer l'intérieur du canon et la chambre avec un chiffon sec placé sur la tige de nettoyage. Remplacer les chiffons jusqu'à ce que le dernier bout soit propre.

Si l'intérieur du canon est fortement encrassé, imprégner l'intérieur du canon et la chambre avec du liquide de nettoyage et laisser agir pendant une dizaine de minutes (cette durée peut varier selon le type de produit utilisé) et nettoyer avec la brosse. Sécher l'intérieur du canon et la chambre avec un chiffon propre et contrôler que tous les résidus de combustion ont bien été éliminés. En cas de besoin, répéter l'opération.

La tige de nettoyage et la brosse doivent être insérées à partir de la chambre pour ne pas endommager la bouche du canon. La brosse doit être passée sur toute la longueur du canon sans changer de direction, pour éviter qu'elle ne se bloque dans les rayures.

### **Nettoyage des autres parties du pistolet**

Les autres parties du pistolet (principalement les surfaces extérieures du canon) seront nettoyées avec un chiffon sec, une vieille brosse à dents, une brosse en laiton ou un grattoir en bois. Lors du nettoyage, il est possible d'utiliser de l'huile de conservation ou du pétrole. Ne jamais utiliser le liquide de nettoyage pour l'intérieur du canon ! Ce dernier pourrait en effet rester dans les fentes et y provoquer de la corrosion.

S'assurer qu'aucun résidu de chiffon ou de brosse n'est resté dans aucune partie de l'arme.

### **Conservation**

Après nettoyage, l'intérieur du canon, la chambre et toutes les parties accessibles seront essuyées avec un chiffon doux imprégné d'huile de conservation ou traités par une pulvérisation d'huile spéciale. Essuyer l'excédent d'huile.

Sur le modèle CZ Shadow 2 Orange, conserver également la partie avant du canon et le diamètre intérieur du guide du canon.

Avant le tir, essayer l'intérieur du canon avec un chiffon sec. Vous utilisez votre pistolet à basses températures, il est nécessaire d'enlever l'huile de toutes les parties accessibles ou d'utiliser une huile adaptée à ces conditions climatiques.

Les moyens de conservation épais, comme la vaseline, ne seront utilisés que pour une conservation de longue durée dans des conditions climatiques difficiles et devront être soigneusement éliminés du pistolet avant que vous ne puissiez l'utiliser.

### **Traitement des déchets**

Si les matériaux du produit et de l'emballage sont traités correctement, ils n'ont aucune incidence négative ni sur la santé humaine ni sur l'environnement. Au cas où il serait nécessaire de liquider le produit ou son emballage, les parties métalliques (acier, métaux non-ferreux), les emballages plastiques, le papier et le carton doivent être déposés séparément dans des conteneurs qui leur sont destinés.

LISTE DES PIÈCES

1 Carcasse *	32 Arrêtoir du chargeur
2 Arrêtoir de culasse *	33 Ressort de l'arrêtoir du chargeur
3 Ressort de l'arrêtoir de culasse	34 Ressort de la tige de la détente
4 Cheville du ressort de l'arrêtoir	35 Vis du ressort de l'arrêtoir du chargeur
5 Détente *	36 Chargeur *
6 Plot de la détente	37 Percuteur *
7 Tige de la détente	38 Ressort du percuteur
8 Ressort de la détente	39 Plaque du percuteur
9 Plot (3 pièces)	40 Butoir *
10 Éjecteur	41 Ressort récupérateur *
11 Gâchette	42 Guide du ressort récupérateur *
12 Ressort de la gâchette	43 Canon *
13 Goupille de gâchette	44 Culasse *
14 Sûreté droite *	45 Guidon
15 Rochet de la sûreté droite *	46 Cheville du guidon
16 Chien *	47 -
17 Déclencheur *	48 -
18 Plot du chien	49 -
19 Cheville de sécurité du plot du chien	50 Extracteur *
20 Tige du ressort de percussion *	51 Plot de l'extracteur
21 Ressort de percussion	52 Ressort de l'extracteur
22 Bouchon du ressort de percussion *	53 Hausse *
23 Goupille du bouchon du ressort de percussion	54 Vis de blocage (2 pièces) *
24 Guide du chargeur *	55 Vis de la détente *
25 Goupille du guide du chargeur	56 Rondelle en éventail (2 pièces) *
26 Plaquette de crosse gauche *	57 Capuchon *
27 Plaquette de crosse droite *	58 Vis du capuchon (2x) *
28 Vis de la plaquette (2 pièces) *	59 Platine du collimateur *
29 Sûreté gauche *	60 Vis de la platine du collimateur (2x) *
30 Rochet de la sûreté gauche	61 Guide du canon *
31 Ressort du rochet de sûreté *	62 Bouchon du ressort récupérateur *

Remarque:

\* Les pièces ainsi indiquées peuvent différer ou être totalement absentes en fonction des différents modèles.

**DÉFAUTS**

Si vous procédez à un entretien régulier et que vous utilisez l'arme normalement, la probabilité d'apparition d'un défaut est minimale. Si toutefois une telle situation devait apparaître, il convient d'appliquer les instructions suivantes.

**AVERTISSEMENT !** En cas de problèmes en cours de tir, la probabilité d'un tir inattendu augmente fortement. C'est pour cette raison qu'il convient d'appliquer strictement les consignes de sécurité. Toujours garder le pistolet dirigé vers un lieu où rien ni personne n'est mis en danger, ne jamais le diriger vers les personnes présentes, ne jamais placer la main devant la bouche du canon !

<b>Défaut</b>	<b>Cause probable</b>	<b>Remède</b>
La cartouche ne passe pas dans la chambre	Le chargeur n'est pas suffisamment enfoncé dans son logement ou est endommagé. L'arme ou les cartouches sont fortement encrassées ou trop graissées.	Engager le chargeur comme il faut ou utiliser un autre chargeur. Nettoyer l'arme et les cartouches à sec, graisser légèrement en cas de besoin.
Percussion ratée	La cartouche utilisée est défectueuse.  L'orifice destiné au percuteur est bouché par des impuretés ou la graisse utilisée ne convient pas aux basses températures ambiantes.	Appuyer une nouvelle fois sur la détente. Si aucune cartouche n'est tirée, appliquer le point 19 des consignes de sécurité.  Démonter et nettoyer le percuteur, utiliser éventuellement un lubrifiant pour basses températures.
« Coup faible » ou non-éjection de la douille	L'amorce a été activée, mais la douille ne contenait pas de poudre.	Décharger l'arme et s'assurer que la balle n'est pas restée dans le canon. Un éventuel autre coup pourrait gravement endommager le canon !
Pas d'éjection	La chambre, l'extracteur ou la cartouche sont fortement encrassés, vous avez éventuellement utilisé de la graisse inadaptée aux basses températures ambiantes.	Nettoyer l'arme à sec, graisser légèrement en cas de besoin. N'utiliser que des munitions neuves, propres.

Si aucun procédé ci-dessus ne permet d'éliminer le problème, veuillez confier votre pistolet à un atelier spécialisé.

Le fabricant se réserve le droit de réaliser des modifications nécessaires à l'amélioration de ses modèles ou répondant à des exigences de caractère technique ou commercial.



**LISTE DES FIGURES**

1. Nomenclature des parties principales
2. Extraction du chargeur
3. Chargement du pistolet
4. Déverrouillage de la culasse en « position de tir en stand-by » en appuyant sur l'arrêtoir de culasse
5. Engagement de la sûreté
6. Désarmement du chien pour le placer en position du repos
7. Réglage de la culasse en position de démontage
8. Retrait de l'arrêtoir de la culasse en utilisant le fond du chargeur
9. Démontage du chargeur

**ADAPTATEUR CZ KADET DE CALIBRE .22 LR**

L'adaptateur de calibre .22 LR pour pistolets CZ Shadow 2 et CZ 75 SP-01 Shadow peut être fourni dans les variantes suivantes :

1. Adaptateur seul, pouvant être installé sur le cadre de n'importe quel pistolet CZ Shadow 2 ou CZ 75 SP-01 Shadow
2. Pistolet CZ Shadow 2 ou CZ 75 SP-01 Shadow complet, de calibre .22 LR

Les principaux avantages de l'adaptateur sont :

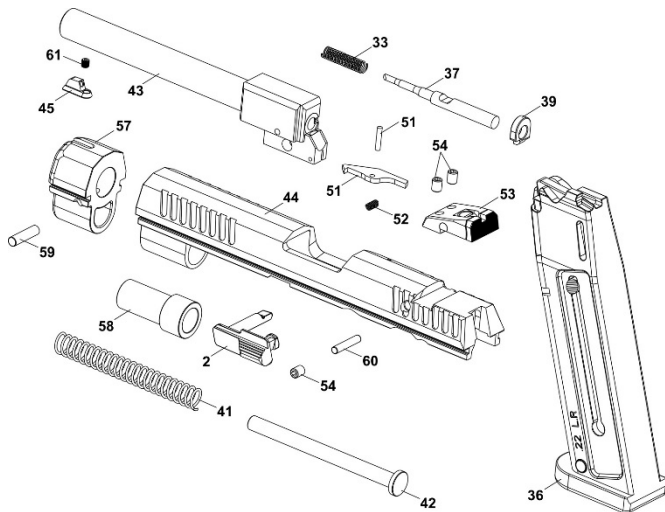
- la conservation des propriétés typiques du pistolet CZ Shadow
- le tir est économique, ce qui sera principalement apprécié lors de l'entraînement
- l'adaptateur se monte facilement sur le cadre, aucun ajustement ne sera nécessaire

**Installation de l'adaptateur**

Pour pouvoir installer un adaptateur de calibre .22 LR sur les modèles de pistolets existants, aucune adaptation ni aucun ajustement ne seront nécessaires. En suivant les consignes mentionnées au chapitre *Démontage pour le nettoyage*, retirer l'ensemble de la culasse existant et installer ensuite l'adaptateur de calibre .22 LR sur le cadre du pistolet. Lorsque vous utilisez cet adaptateur, il sera toujours nécessaire d'utiliser également un arrêtoir de la culasse identifié « 22 LR » et un chargeur de calibre .22 LR.

L'arme est fournie avec deux ressorts de rappel de couleurs différentes. Le ressort bleu est destiné aux munitions .22LR moins puissantes (comme les cartouches subsoniques par exemple). Le ressort rouge est, quant à lui, destiné aux munitions plus puissantes (comme les modèles « high velocity » par exemple).

## Représentation et nomenclature des composants de l'adaptateur



- |    |                               |    |                         |
|----|-------------------------------|----|-------------------------|
| 2  | Arrêtoire de la culasse       | 50 | Extracteur              |
| 36 | Chargeur                      | 51 | Goujon de l'extracteur  |
| 37 | Percuteur                     | 52 | Ressort de l'extracteur |
| 38 | Ressort du percuteur          | 53 | Hausse                  |
| 39 | Plaque du percuteur           | 54 | Vis de blocage (3x)     |
| 41 | Ressort récupérateur          | 57 | Rallonge                |
| 42 | Guide du ressort récupérateur | 58 | Fourreau                |
| 43 | Canon                         | 59 | Goupille de la rallonge |
| 44 | Culasse                       | 60 | Goupille du percuteur   |
| 45 | Guidon                        | 61 | Vis du guidon           |

NOTES - NOTAS - POZNÁMKY - ANMERKUNGEN - NOTICES

.....

.....

.....

.....

.....

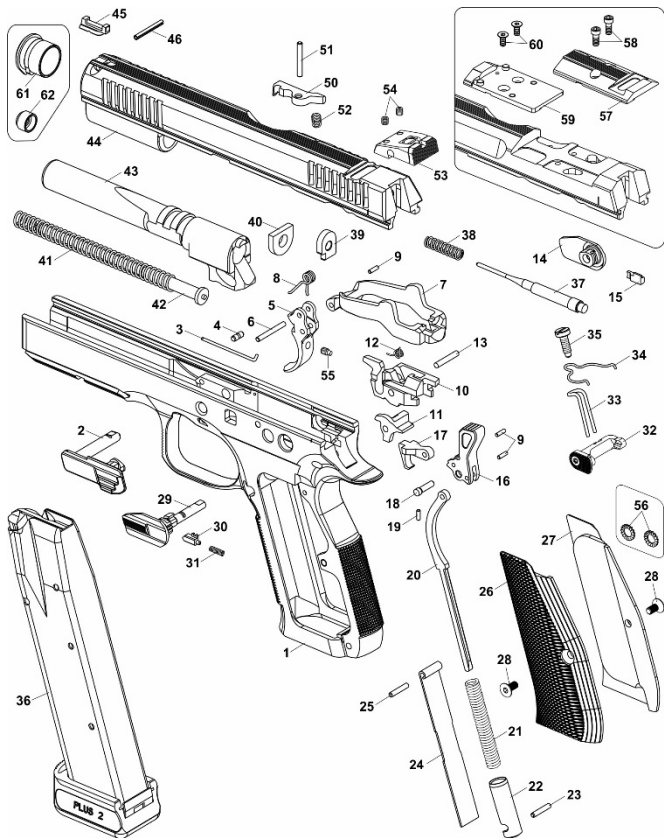
.....

.....

.....

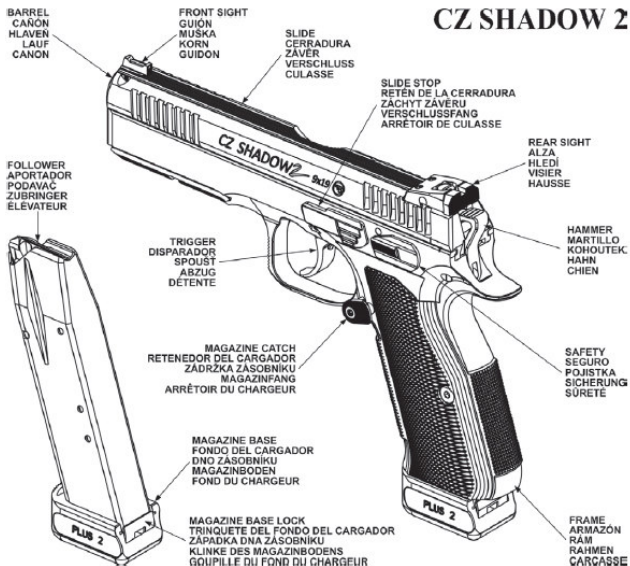
.....

.....



1

## CZ SHADOW 2



2



3



4



5



6



7



8



9

